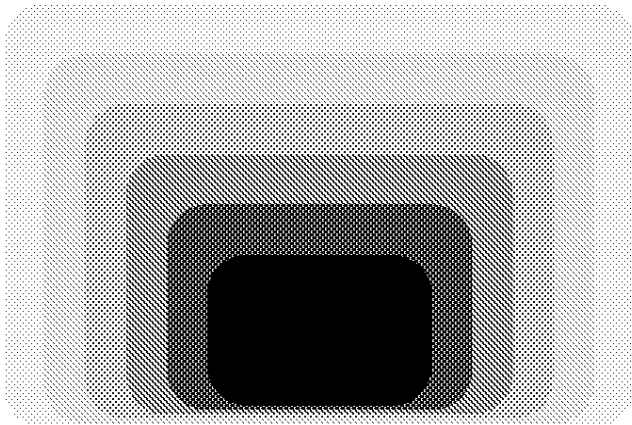


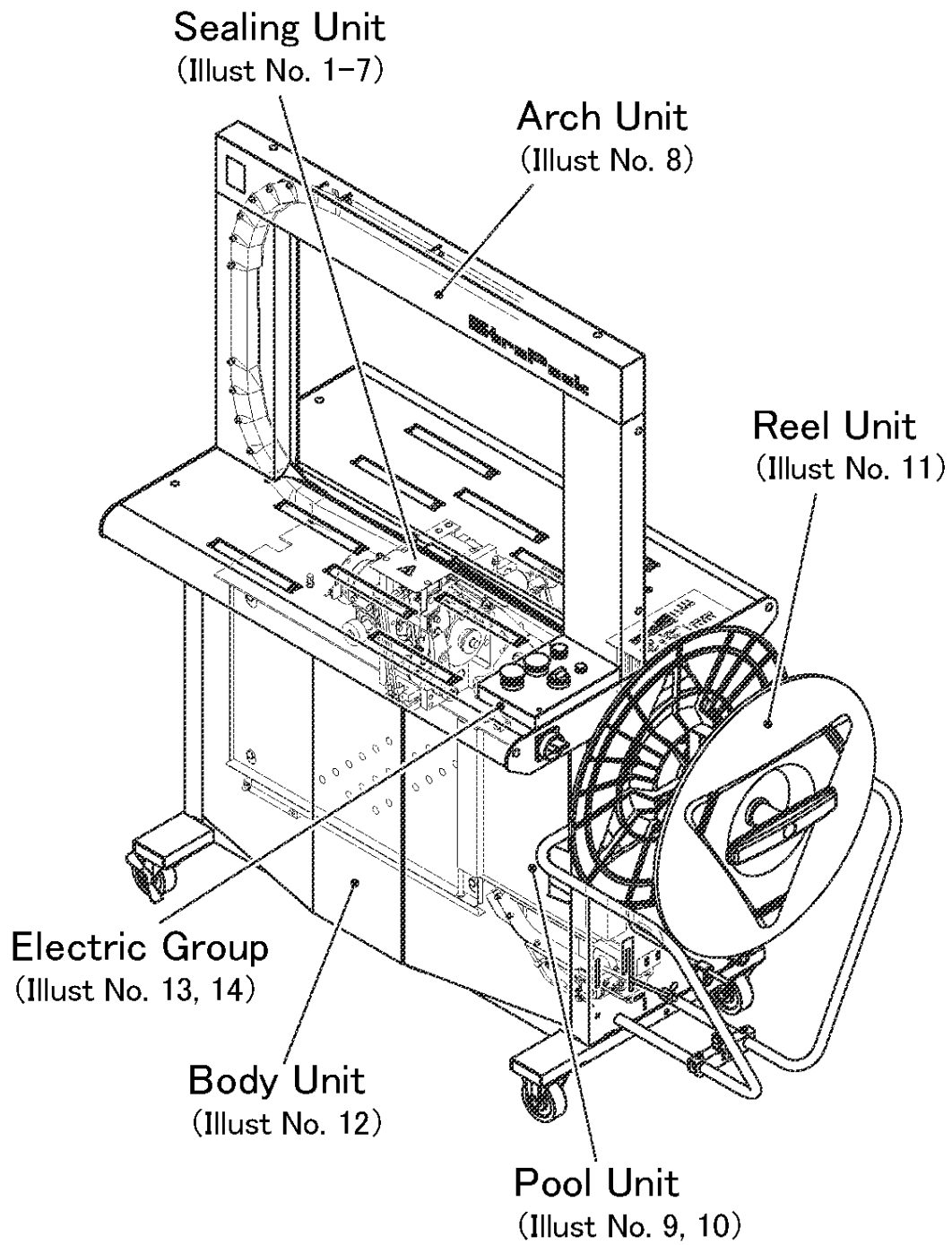
# Strapping Machine

# SQ-800

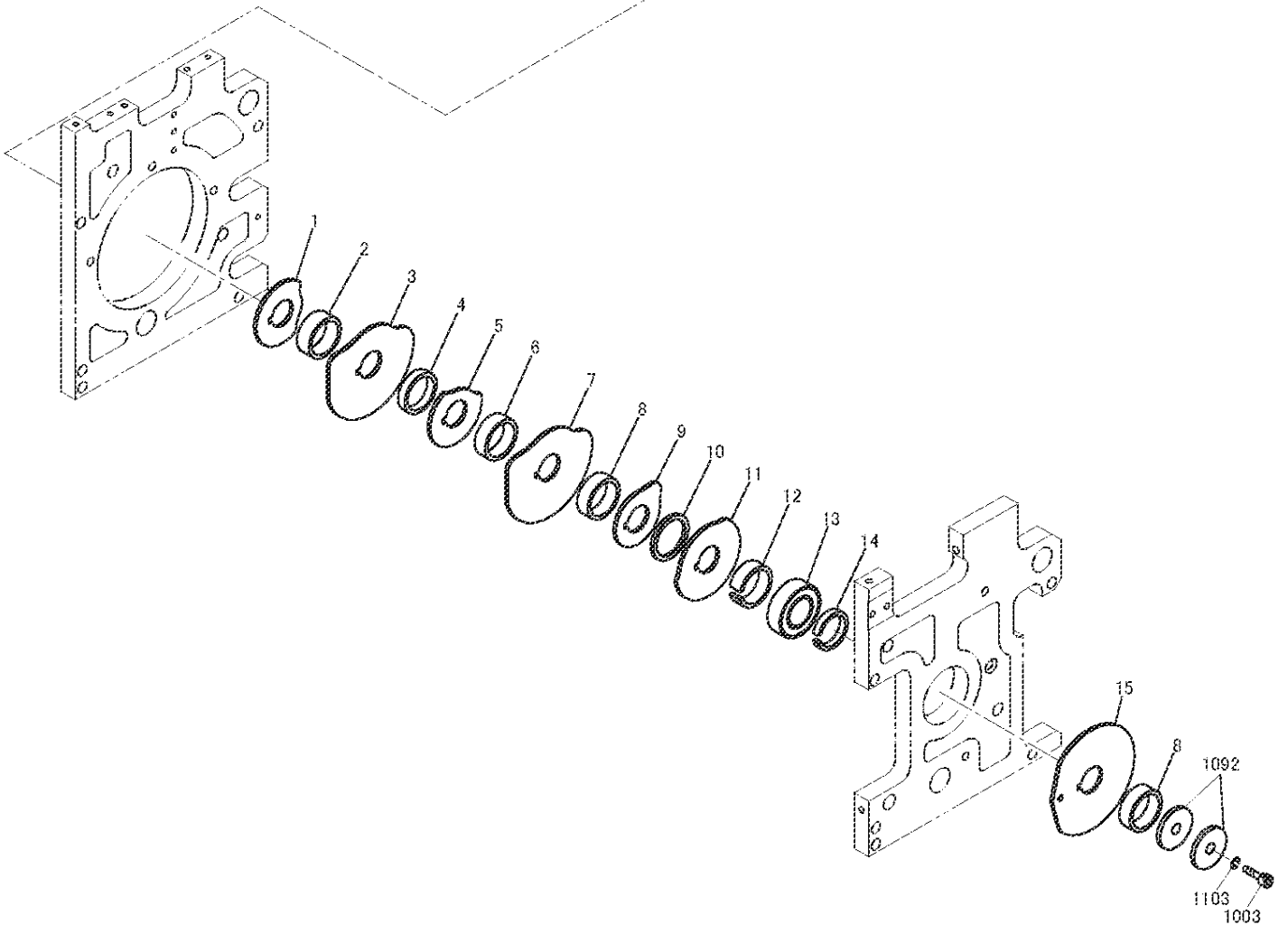
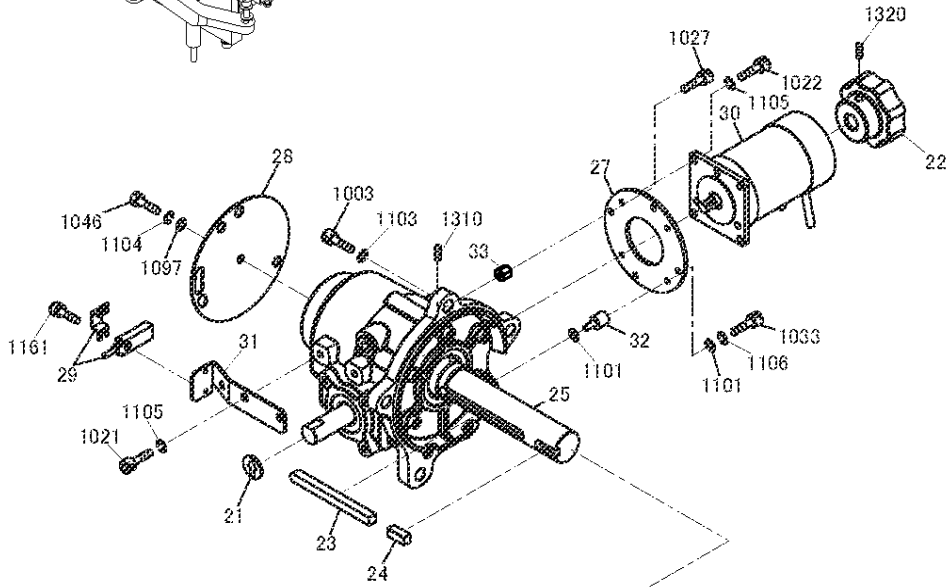
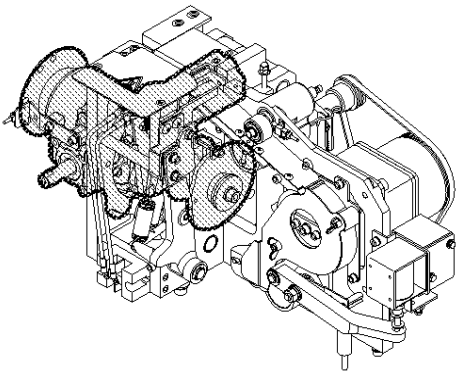


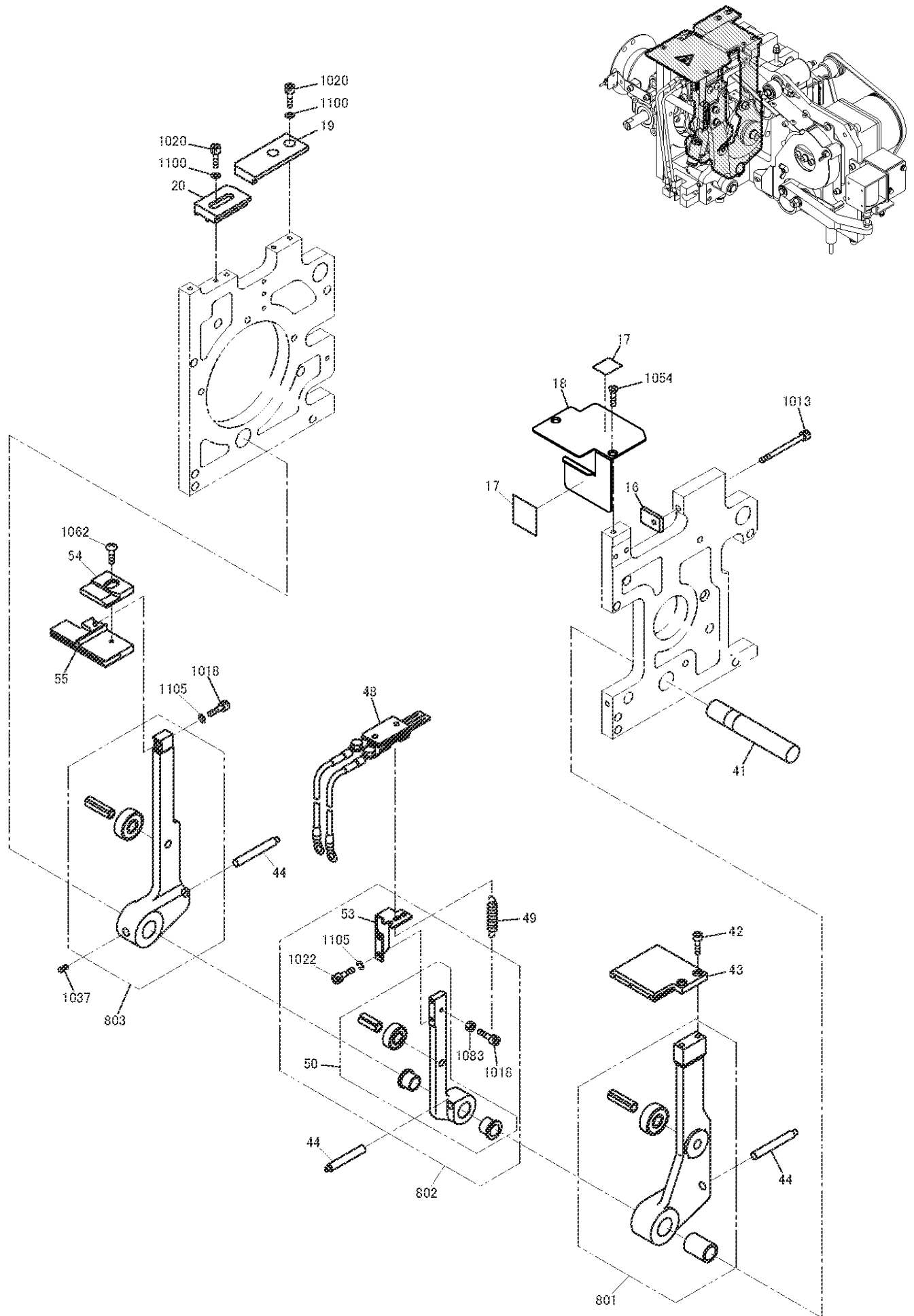
## PARTS LIST

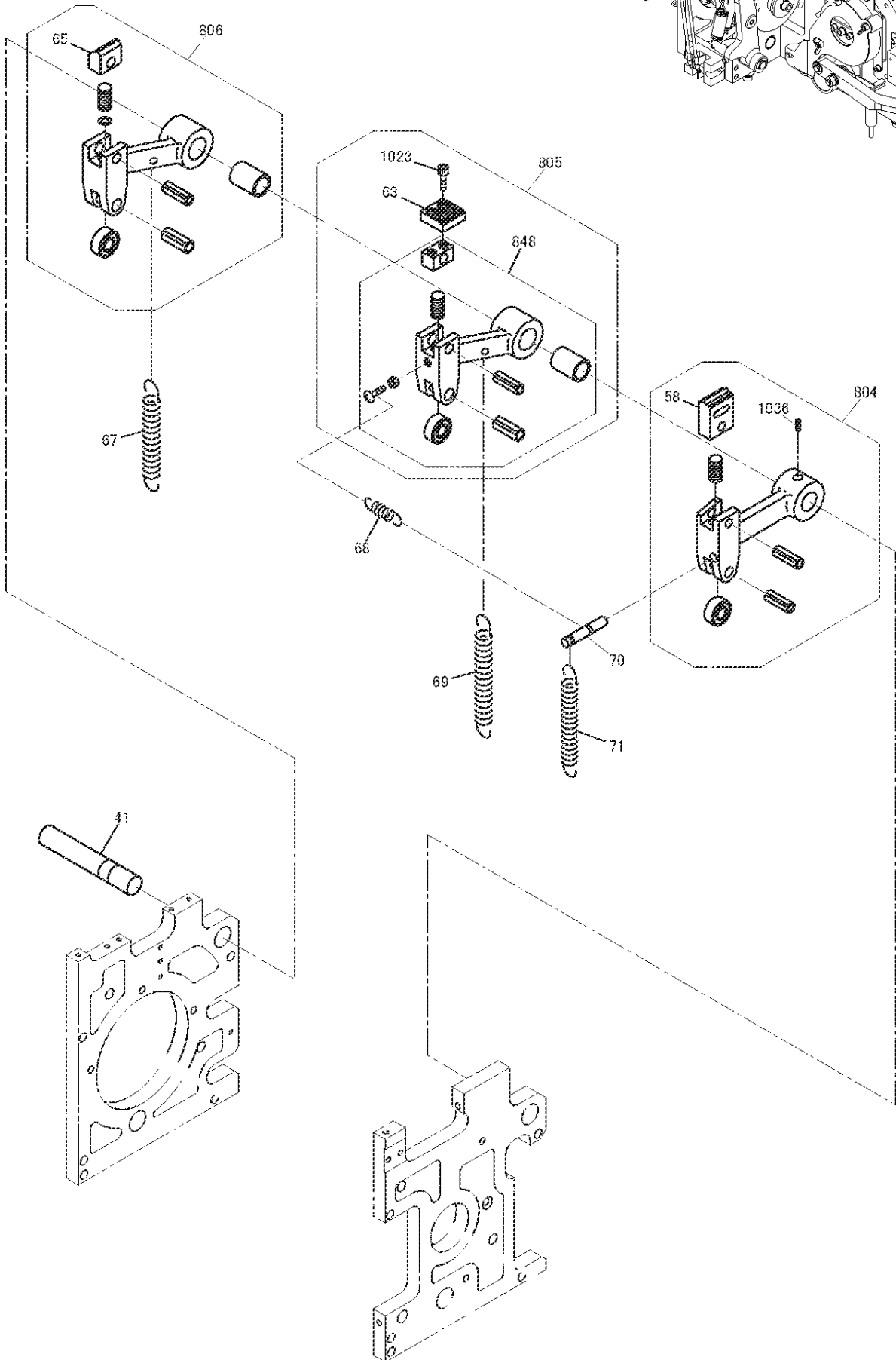
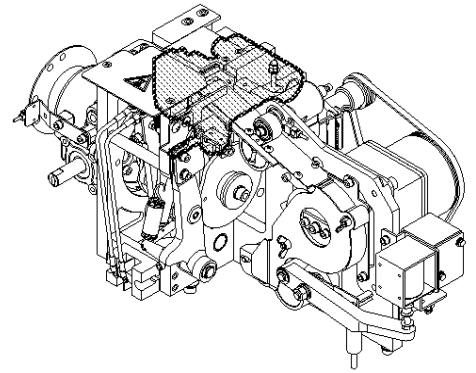


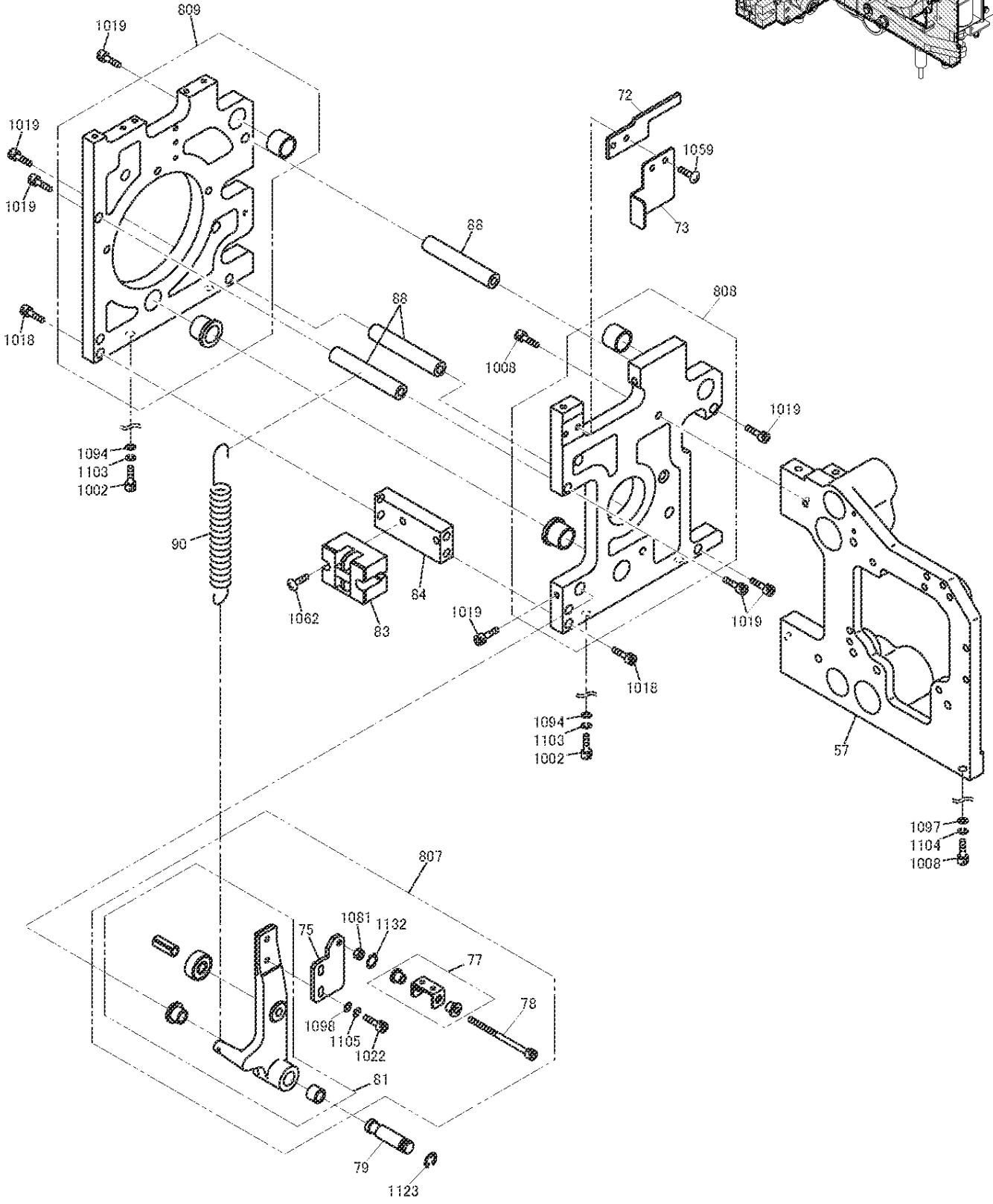
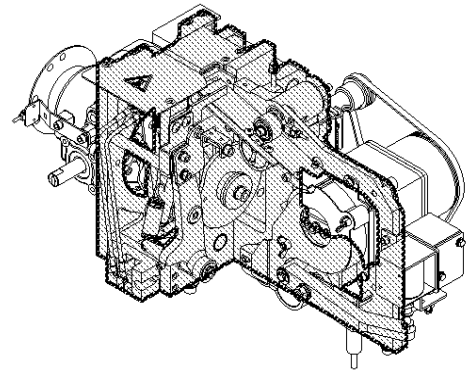


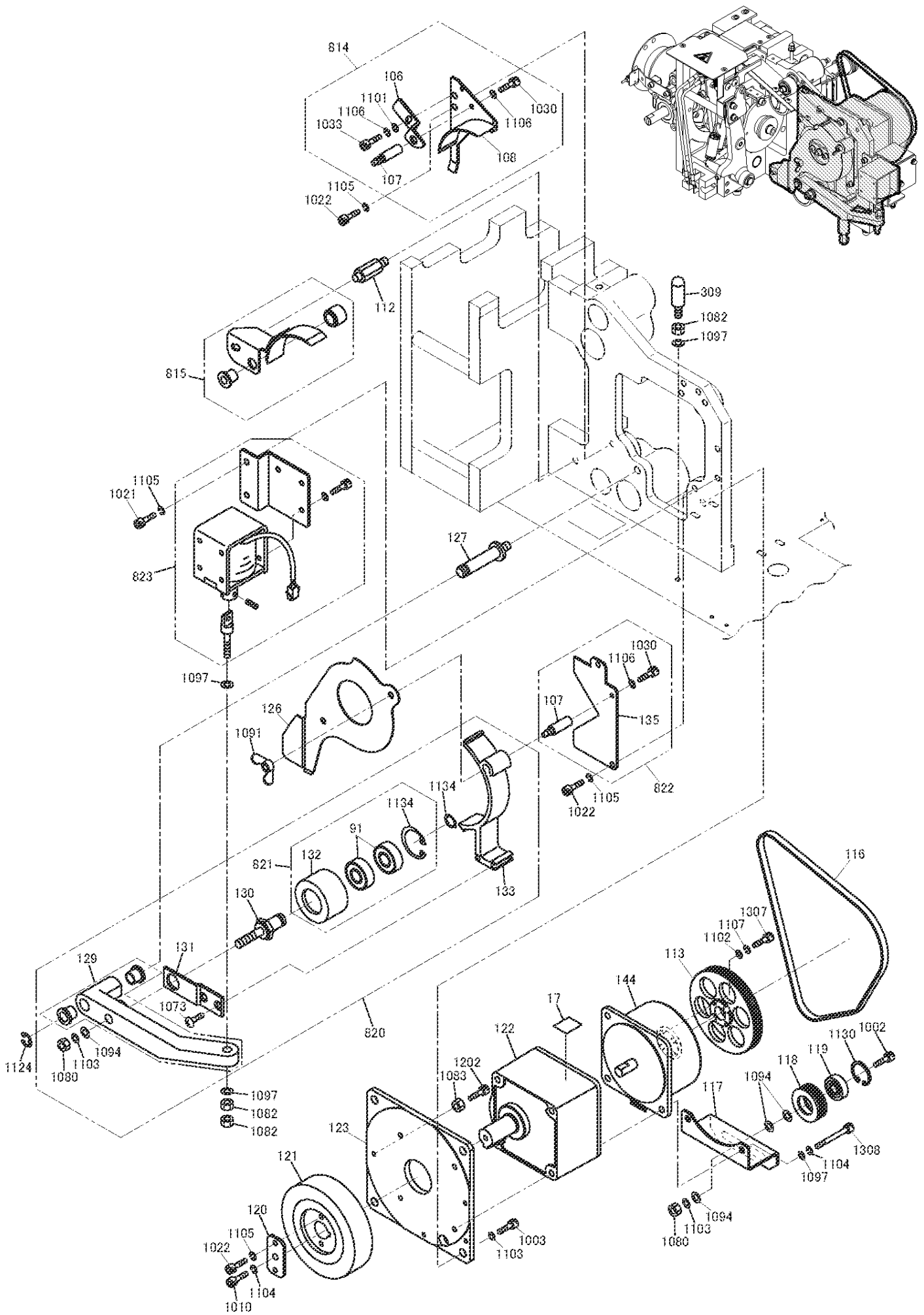
Option	Illust No.		
Height Adjustment	15		
Foot Bar Switch, Foot Switch	15		
Upper Table	16		
Table Ball Switch	17		



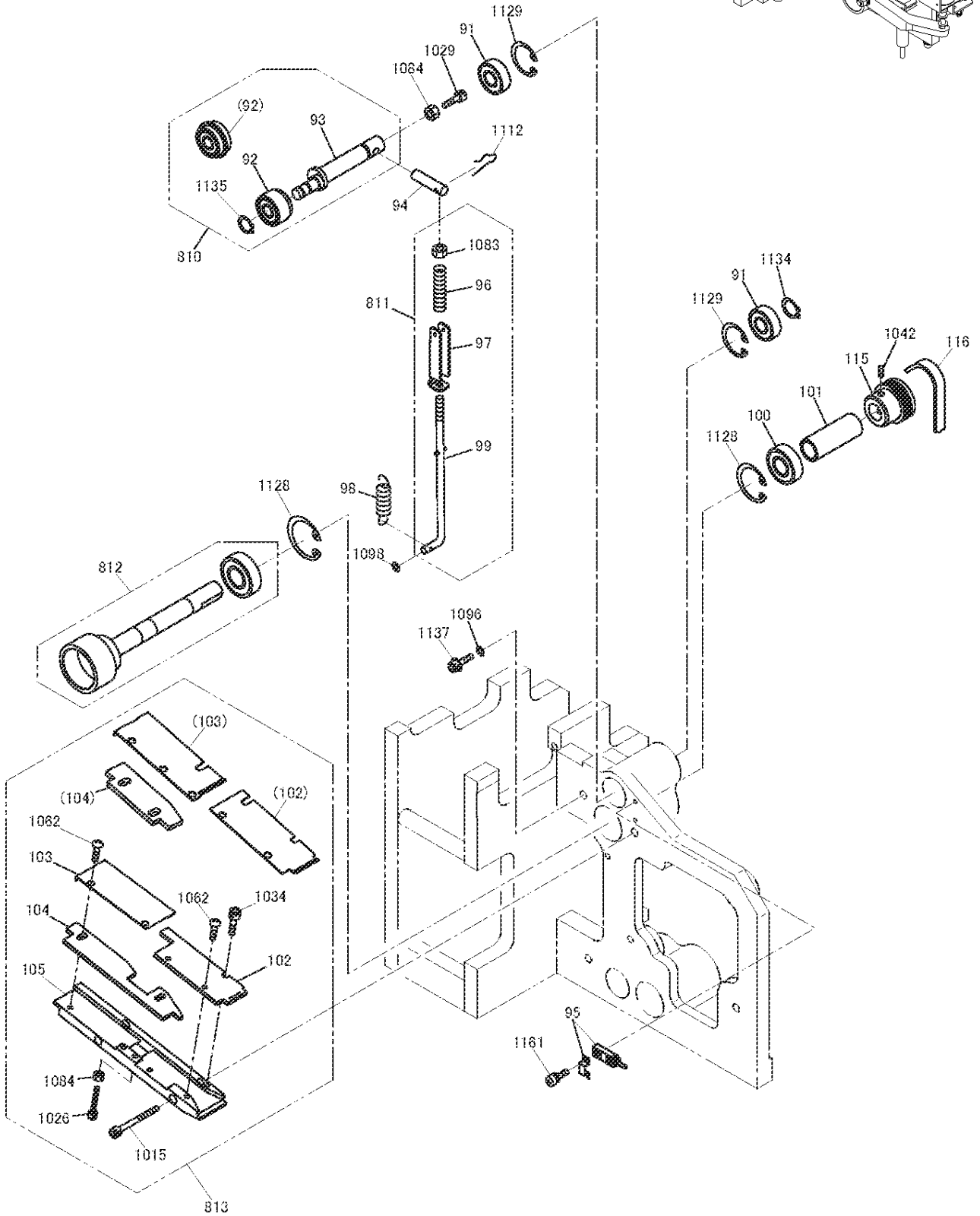
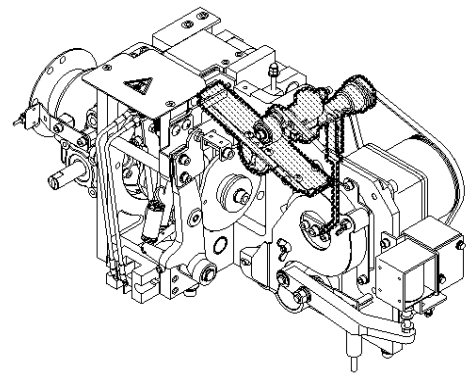


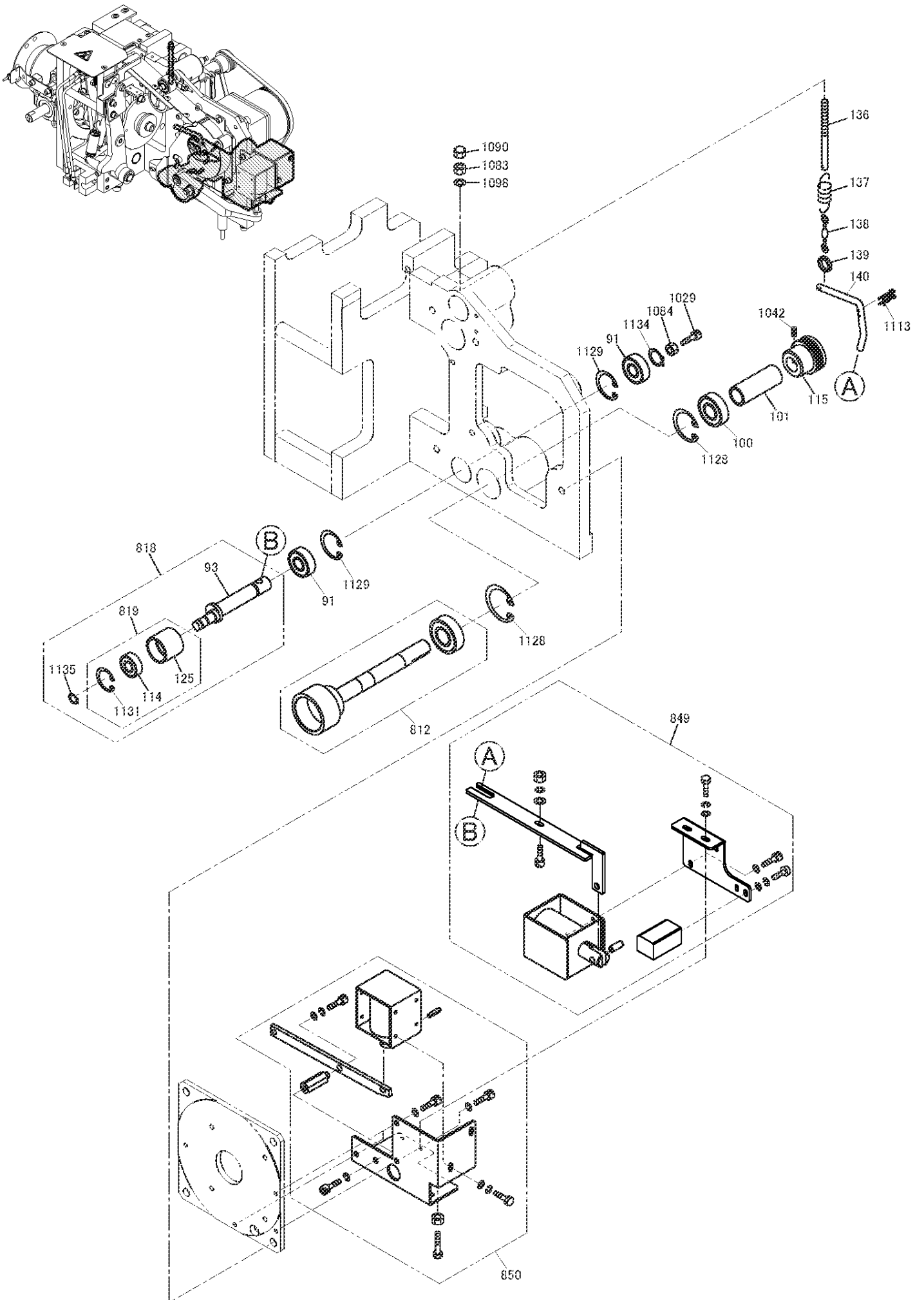




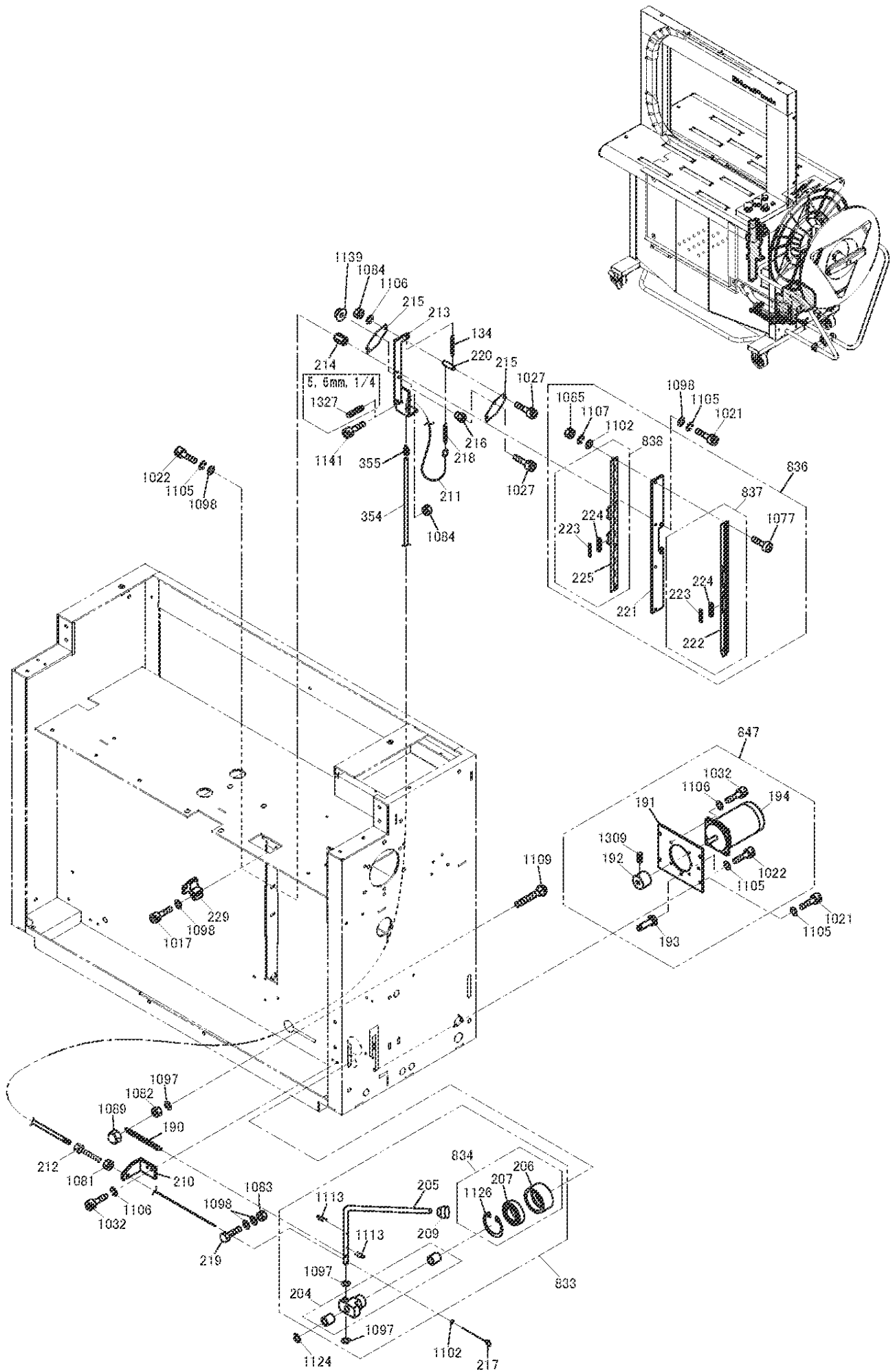




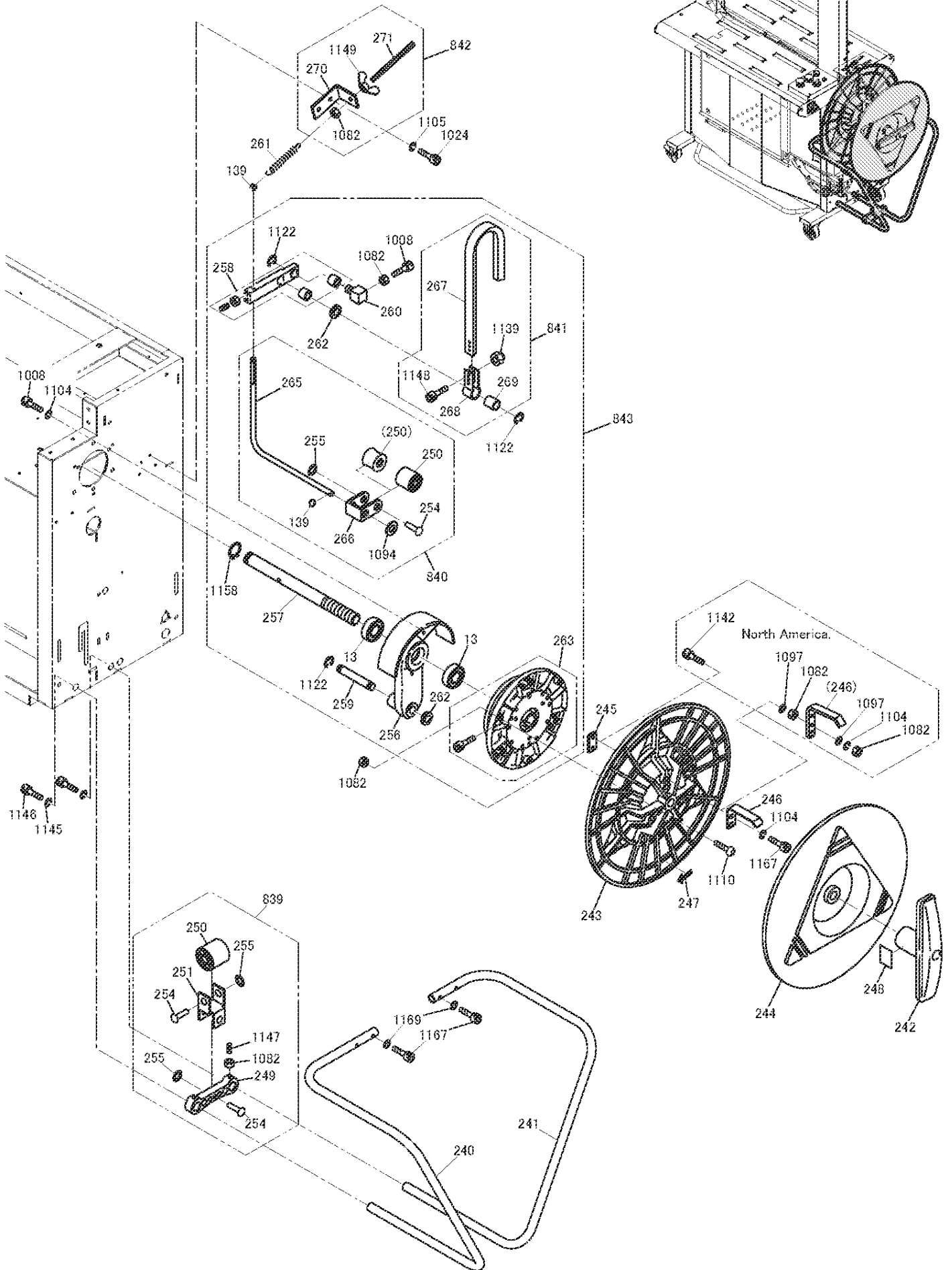
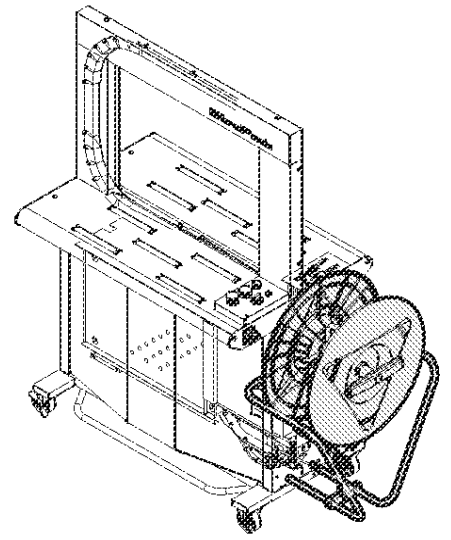


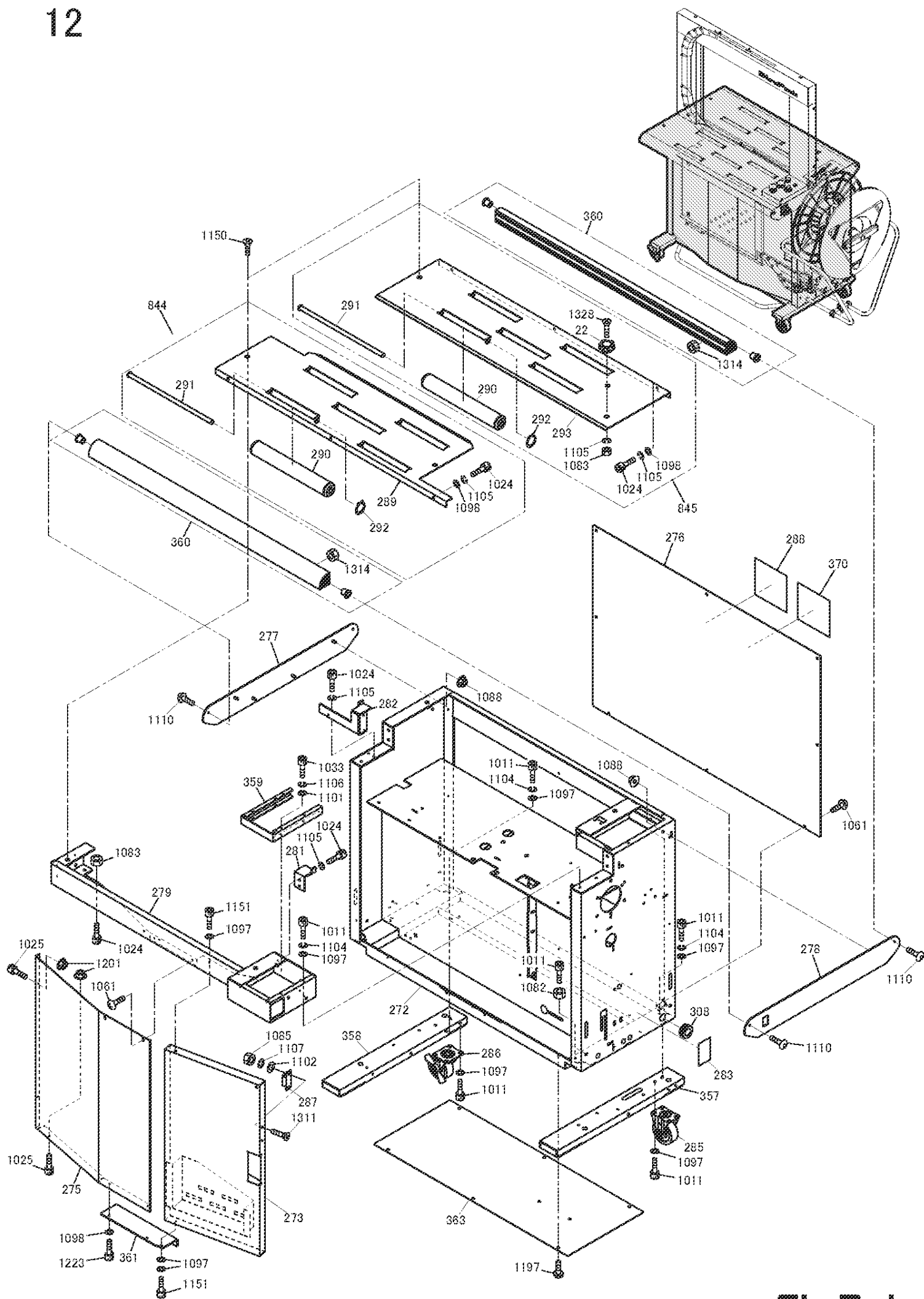


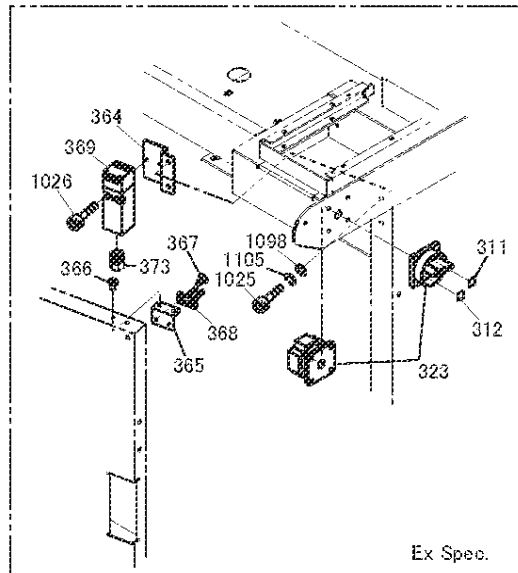
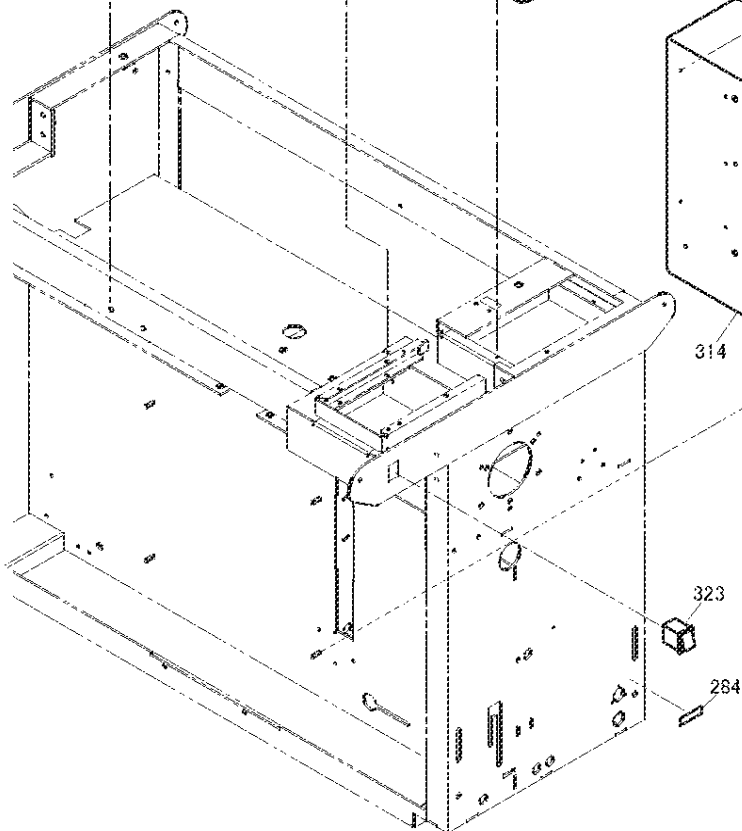
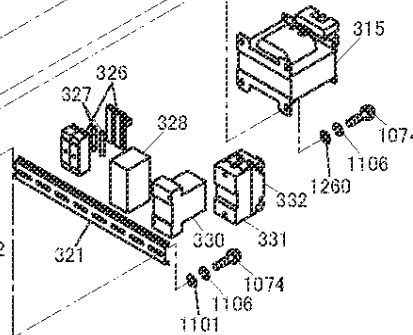
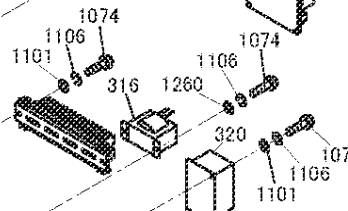
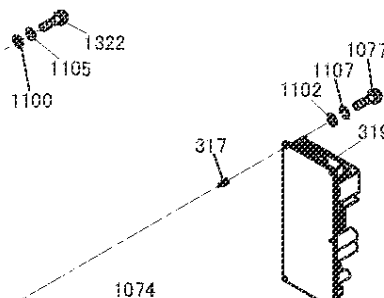
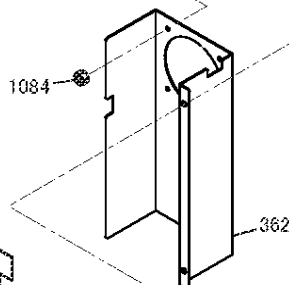
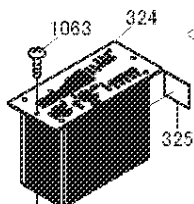
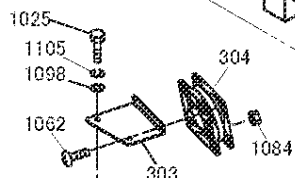
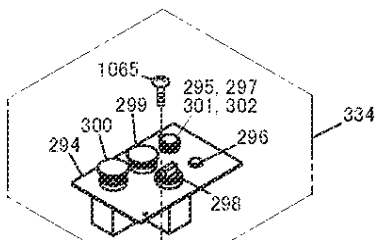
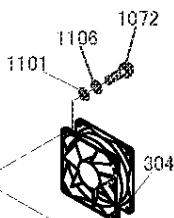
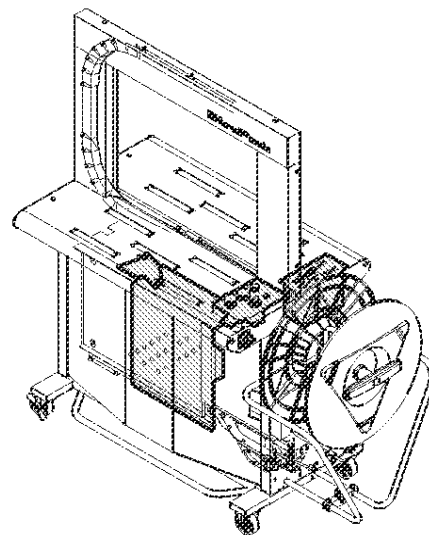






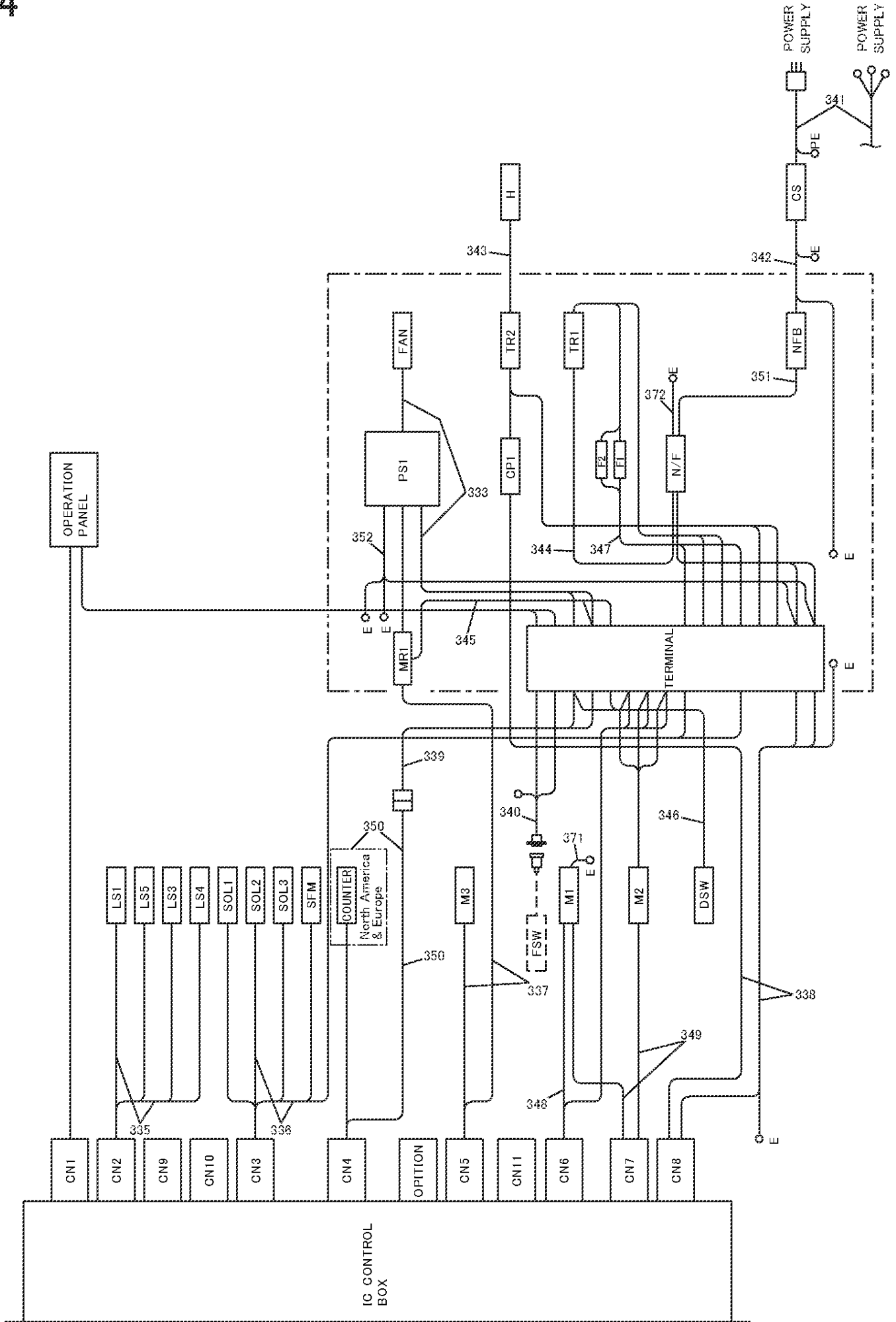




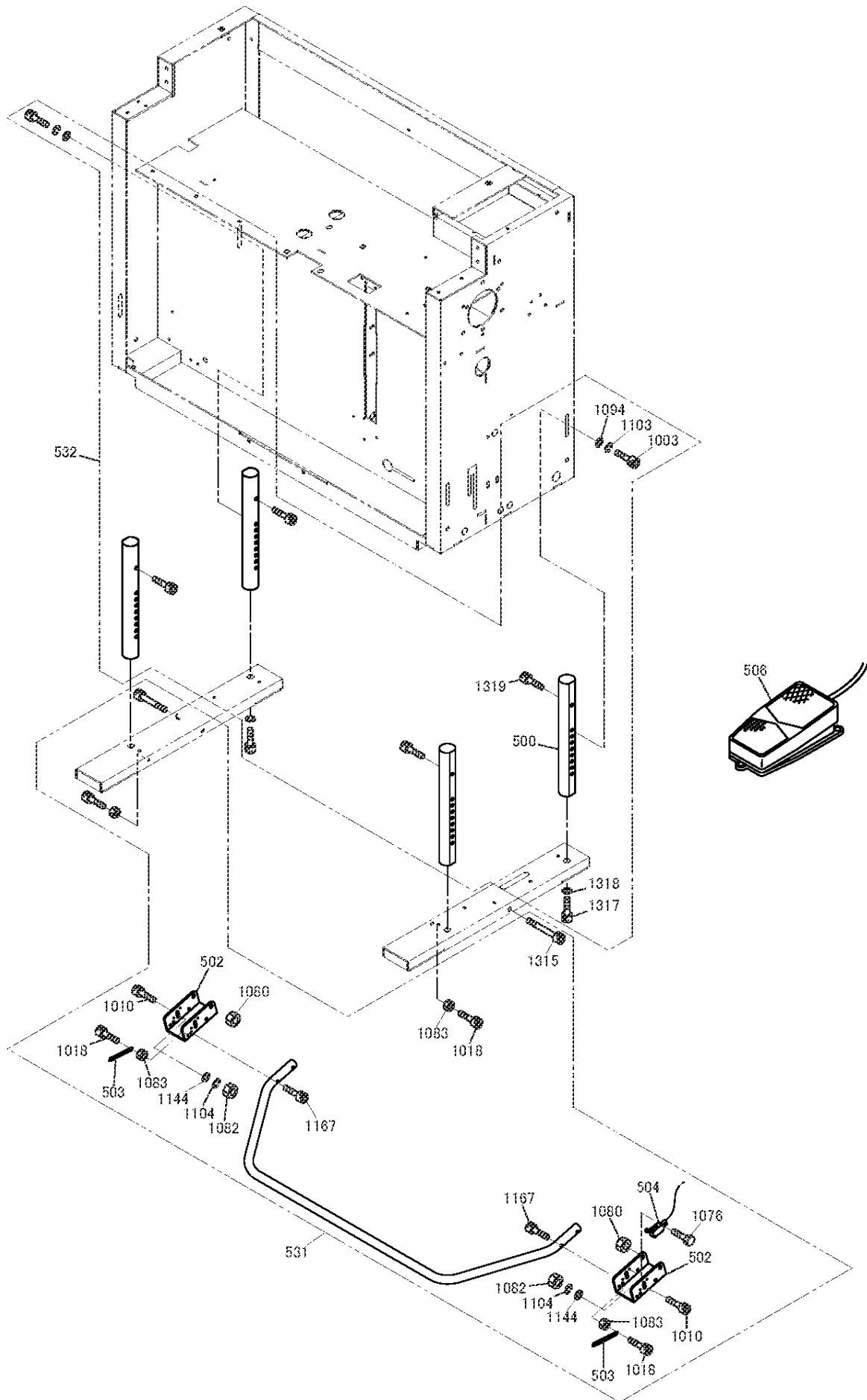


Ex Spec.

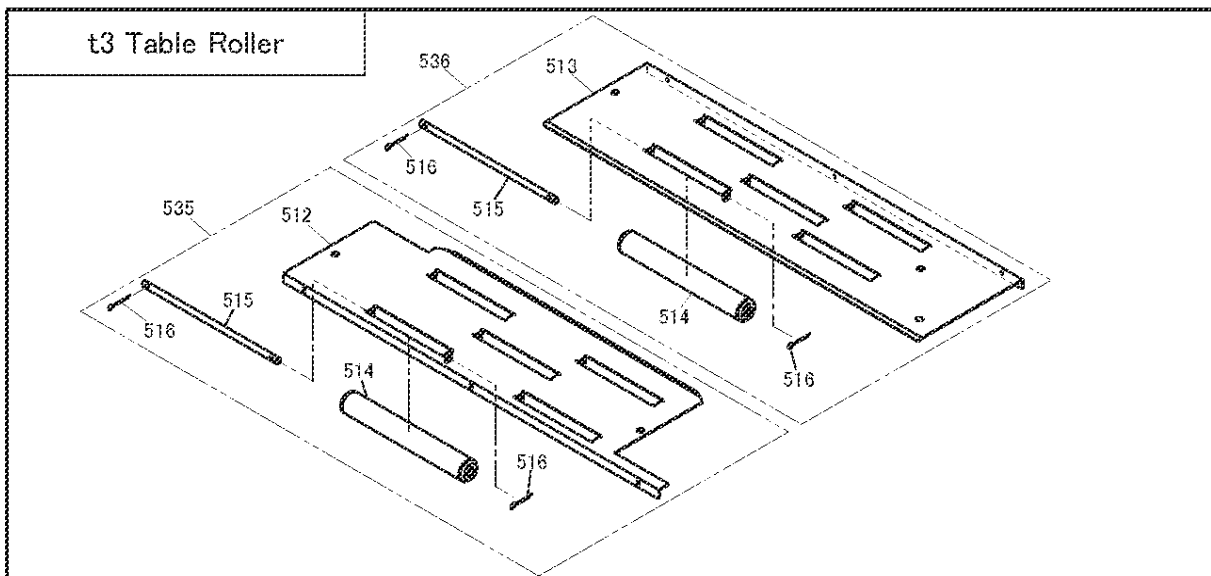
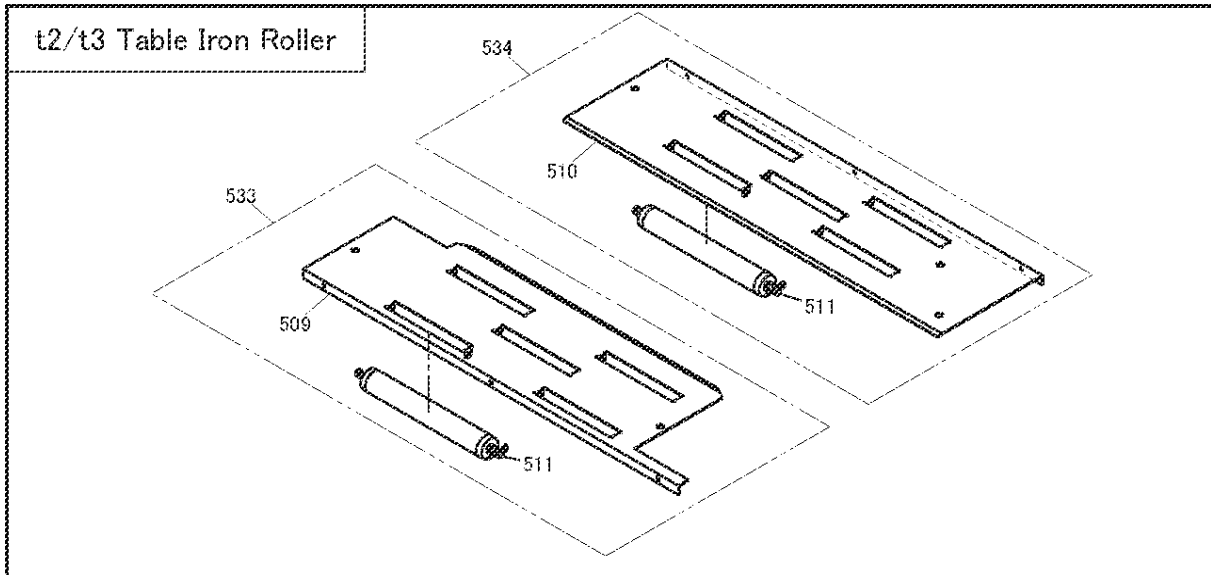
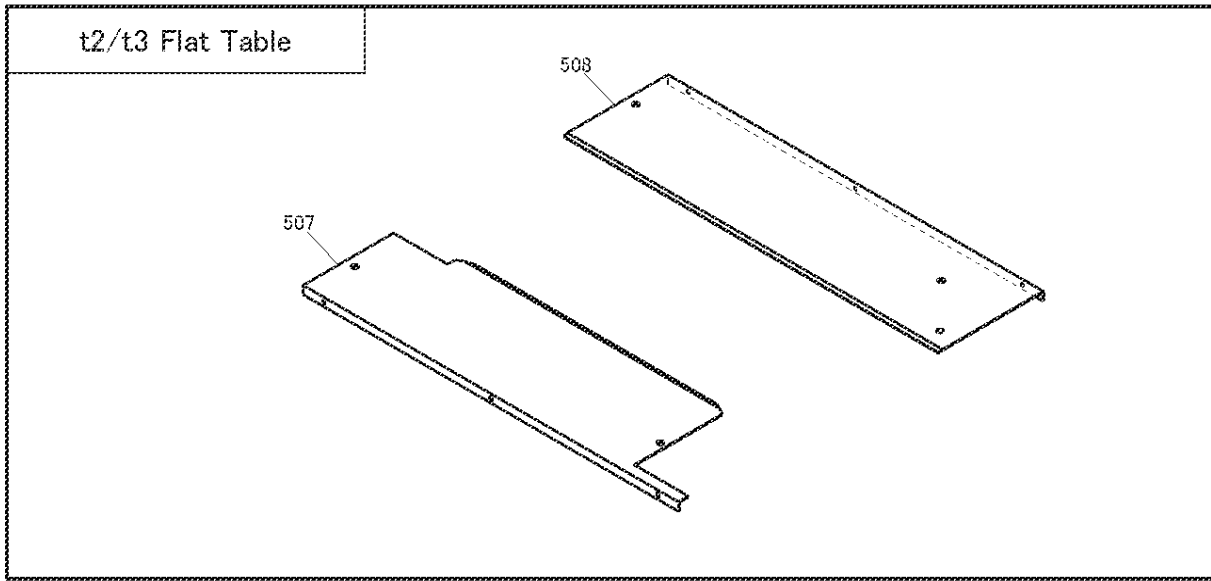




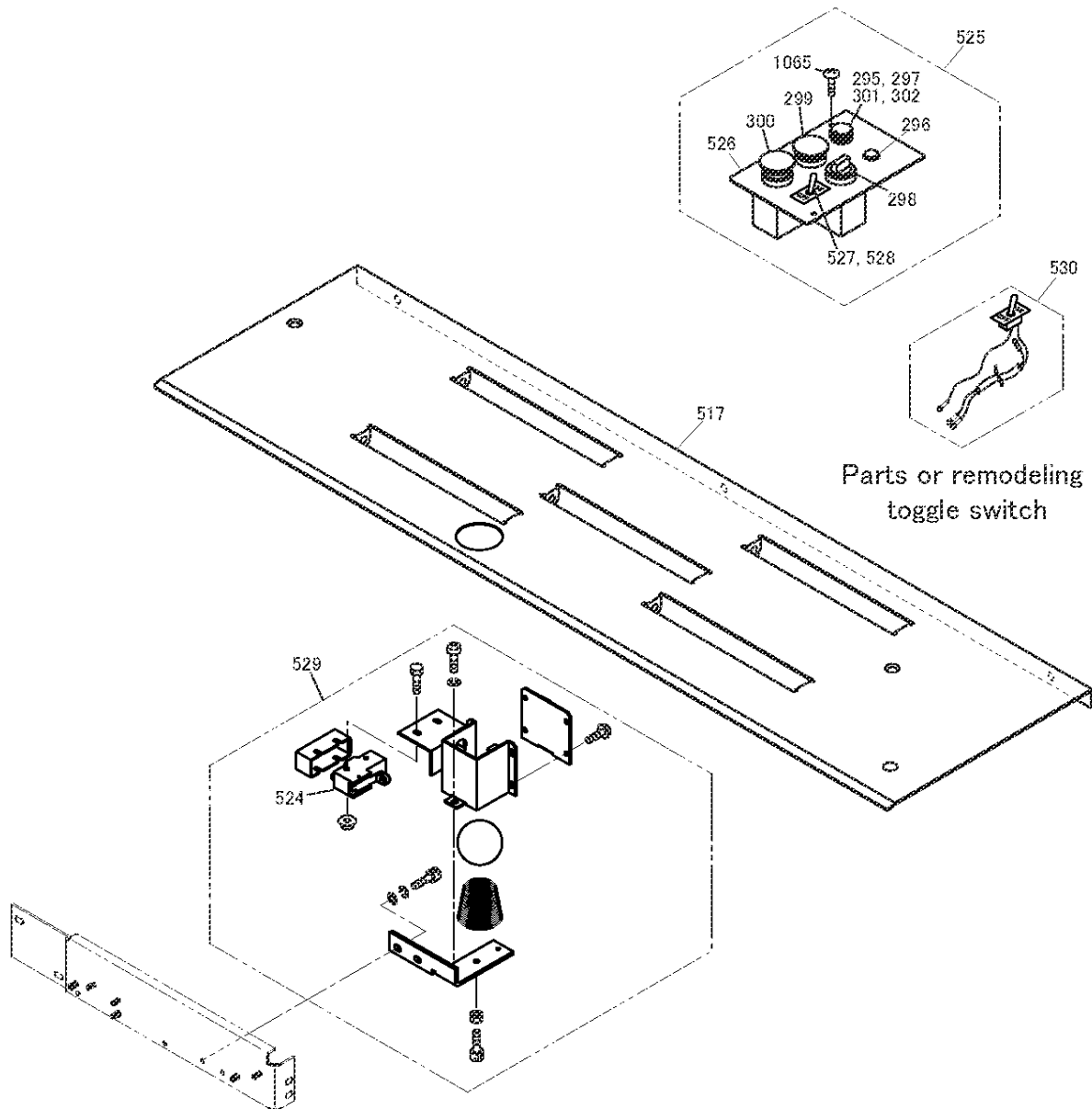
Option  
Height Adjustment & Foot Bar Switch & Foot Switch



Option  
Upper Table



# Option Table Ball Switch



略称 Abbreviation	名称 Designation	形状 Appearance	略称 Abbreviation	名称 Designation	形状 Appearance	略称 Abbreviation	名称 Designation	形状 Appearance
HBS	六角穴付きボルト Hexagon Socket Head Cap Bolt		CN	袋ナット Cap Nuts		S	C形止め輪(軸用) Retaining Rings C Type, Shaft	
HSS	六角穴付き止めねじ Hexagon Socket Set Screws		WN	蝶ナット Wing Nuts		WR	WR形止め輪(軸用) Retaining Rings WR Type, Shaft	
HB	六角ボルト Hexagon Head Bolt		SNPIN	スナップピン Snap Pin		HFS	六角穴付きサラ小ネジ Hexagon Socket Countersunk Head Screws	
FMS	十字穴付きサラ小ネジ Cross Recessed Flat Head Screws		PW	平座金 Plain Washers		SNB	角根丸頭ボルト Cup Head Square neck Bolt	
TMS	十字穴付きトラス小ネジ Cross Recessed Truss Head Screws		SW	バネ座金 Spring Washers		HBB	六角穴付きボタンボルト Hexagon Socket Button Head Screws	
PMS	十字穴付きナベ小ネジ Cross Recessed Pan Head Screws		SPPIN	スプリングピン Spring Pin		HN-C	皿バネ付きナット Hex Nut with Disc Spring	
HN	六角ナット Hexagon Nuts		E	E形止め輪 Retaining Rings E Type		HN-F	フランジ付きナット Hexagon Nuts with Flange	
HN-3	六角ナット(3種) Hexagon Nuts (Thin)		H	C形止め輪(穴用) Retaining Rings C Type, Hole				

番号 Ref. No.	部品番号 Parts. No.	部品名称 Description	番号 Ref. No.	部品番号 Parts. No.	部品名称 Description	番号 Ref. No.	部品番号 Parts. No.	部品名称 Description
1001	0111-108030	HBS M8x30	1069	0161-104050	PMS M4x50	1132	0511-130607	Stop Ring S-6
1002	0111-108025	HBS M8x25	1071	0161-104020	PMS M4x20	1133	0511-131510	Stop Ring S-15
1003	0111-108020	HBS M8x20	1072	0161-104012	PMS M4x12	1134	0511-131210	Stop Ring S-12
1004	0111-108015	HBS M8x15	1073	0161-104010	PMS M4x10	1135	0511-130808	Stop Ring S-8
1006	0111-306040	HBS M6x40	1074	0161-104008	PMS M4x8	1136	0511-151612	Stop Ring WR-16
1008	0111-106020	HBS M6x20	1075	0161-103018	PMS M3x18	1139	0292-004100	Nylon Nut M4
1009	0111-106018	HBS M6x18	1076	0161-103015	PMS M3x15	1140	0142-003012	FMS M3x12 Stainless
1010	0111-106015	HBS M6x15	1077	0161-103010	PMS M3x10	1141	0111-104035	HBS M4x35
1011	0111-106012	HBS M6x12	1078	0161-103008	PMS M3x8	1142	0111-106030	HBS M6x30
1013	0111-105055	HBS M5x55	1080	0181-108001	HN M8 style1	1143	0111-506025	HBS M6x25
1014	0111-105045	HBS M5x45	1081	0181-106003	HN-3 M6 style3	1144	0311-561310	PW M6 (6.6x13xt1)
1015	0111-105040	HBS M5x40	1082	0181-106001	HN M6 style1	1145	0321-143026	SW M14 (14.2x30xt2.6)
1016	0111-105035	HBS M5x35	1083	0181-105001	HN M5 style1	1146	0111-114025	HBS M14x25
1017	0111-105030	HBS M5x30	1084	0181-104001	HN M4 style1	1147	0121-106015	HSS M6x15 cup point
1018	0111-105025	HBS M5x25	1085	0181-103001	HN M3	1148	0112-004020	HBS M4x20 Stainless
1019	0111-105020	HBS M5x20	1086	0291-105101	HN-C M5	1149	0221-206002	WN M6 style2
1020	0111-105018	HBS M5x18	1087	0291-104101	HN-C M4	1150	0142-006012	FMS M6x12 Stainless
1021	0111-105015	HBS M5x15	1088	0041-106000	HN-F M6	1151	0111-106010	HBS M6x10
1022	0111-105012	HBS M5x12	1089	0191-106002	CN M6	1152	0151-105035	TMS M5x35
1023	0112-005012	HBS M5x12 Stainless	1090	0191-205011	CN M5 style2	1153	0152-005008	TMS M5x8 Stainless
1024	0111-105010	HBS M5x10	1091	0221-205002	PW	1154	0161-104006	PMS M4x6
1025	0111-105008	HBS M5x8	1092	0311-084032	PW M8 (8.5x40xt3.2)	1155	0161-104075	PMS M4x75
1026	0111-104030	HBS M4x30	1094	0311-081816	PW M8 (9x18xt1.6)	1156	0151-104012	TMS M4x12
1027	0111-104025	HBS M4x25	1095	0311-062020	PW M6 (φ 20)	1157	0111-105050	HBS M5x50
1028	0112-004025	HBS M4x25 Stainless-All Screws	1097	0311-061310	PW M6 (6.6x13xt1)	1158	0511-132512	Stop Ring S-25
1029	0111-104015	HBS M4x15	1098	0311-051210	PW M5 (5.5x12xt1)	1159	0291-306240	HSS M6x8
1030	0111-104012	HBS M4x12	1100	0311-051010	PW M5 (5.5x10xt1)	1160	0141-105030	FMS M5x30
1032	0111-104010	HBS M4x10	1101	0311-041008	PW M4 (4.5x10xt0.8)	1161	0291-103202	PMS-SP M3x8
1033	0111-104008	HBS M4x 8	1102	0311-030805	PW M3 (3.4x8xt0.5)	1162	0038-104020	PMS-P M4x20
1034	0111-104006	HBS M4x 6	1103	0321-081520	SW M8 (8.2x15.4xt2)	1163	0037-105050	PMS-S M5x50
1036	0261-108010	HSS M8x10 flat point	1104	0321-061215	SW M6 (6.1x12.2xt1.5)	1164	0361-051005	Conical Spring Washer
1037	0121-108010	HSS M8x10 cup point	1105	0321-050913	SW M5 (5.1x9.2xt1.3)	1165	0037-105030	PMS-S M5x30
1038	0121-106020	HSS M6x20 cup point	1106	0321-040810	SW M4 (4.1x7.6xt1)	1166	0041-108000	HN-F M8
1039	0291-506095	HSS M6x15 long dog point	1107	0321-030607	SW M3 (3.1x5.9xt0.7)	1167	0111-106025	HBS M6x25
1040	0121-106012	HSS M6x12 cup point	1108	0251-105010	HFS M5x10	1168	0111-108012	HBS M8x12
1041	0121-106010	HSS M6x10 cup point	1109	0271-106040	SNB M6x40	1169	0311-061216	PW M6 (6.6x12xt1.6)
1042	0121-106008	HSS M6x 8 cup point	1110	0291-106211	HBB M6x20	1170	0028-105010	HB-P M5x10
1046	0131-106015	HB M6x15	1111	0291-105099	HBB M5x10	1171	0026-103015	HB-SP M6x15
1047	0131-105055	HB M5x55 All Screws	1112	0491-121600	SNPIN No.16	1172	0311-102120	PW M10 (11x21xt2)
1048	0131-105030	HB M5x30	1113	0491-120600	SNPIN φ 6	1173	0181-110001	HN M10
1049	0131-105020	HB M5x20	1114	0491-120500	SNPIN φ 5	1174	0111-110050	HBS M10x50
1050	0131-105015	HB M5x15	1115	0411-310030	SPPIN φ 10x30	1175	0161-103006	PMS M3x6
1051	0131-105010	HB M5x10	1116	0411-308022	SPPIN φ 8x22	1176	0036-105010	PMS-SP M5x10
1052	0131-104025	HB M4x25	1117	0411-308018	SPPIN φ 8x18	1177	0131-104010	HB M4x10
1054	0141-105010	FMS M5x10	1118	0411-306024	SPPIN φ 6x24	1178	0111-106095	HBS M6x95
1055	0141-104010	FMS M4x10	1119	0411-306015	SPPIN φ 6x15	1179	0251-506045	HFS M6x45
1057	0141-103006	FMS M3x6	1120	0411-304015	SPPIN φ 4x15	1180	0251-506015	HFS M6x15
1059	0151-105012	TMS M5x12	1122	0511-111210	Stop Ring E-12	1181	0141-504030	FMS M4x30
1060	0151-105010	TMS M5x10	1123	0511-111010	Stop Ring E-10	1182	0142-003004	FMS M3x4 Stainless
1061	0151-105008	TMS M5x8	1124	0511-110808	Stop Ring E-8	1183	0121-105010	HSS M5x10 cup point
1062	0151-104010	TMS M4x10	1125	0511-124718	Stop Ring H-47	1184	0121-105005	HSS M5x5 cup point
1063	0151-104008	TMS M4x8	1126	0511-123716	Stop Ring H-37	1185	0251-505012	HFS M5x12
1064	0152-004008	TMS M4x8 Stainless	1127	0511-123516	Stop Ring H-35	1186	0121-103003	HSS M3x3 cup point
1065	0151-104006	TMS M4x6	1128	0511-123212	Stop Ring H-32	1187	0121-105006	HSS M5x6 cup point
1067	0161-105012	PMS M5x12	1129	0511-122812	Stop Ring H-28	1188	0161-105010	PMS M5x10
1068	0161-104065	PMS M4x65	1130	0511-122412	Stop Ring H-24	1189	0141-105015	FMS M5x15
			1131	0511-122210	Stop Ring H-22	1190	0131-104006	HB M4x6

番号 Ref. No.	部品番号 Parts. No.	部品名称 Description	番号 Ref. No.	部品番号 Parts. No.	部品名称 Description	番号 Ref. No.	部品番号 Parts. No.	部品名称 Description
1191	0131-106050	HB M6x50	1264	0112-005008	HBS M5x8 Stainless			
1192	0141-104012	FMS M4x12	1265	0322-050913	SW M5 (5.1x9.2xt1.3) Stainless			
1193	0141-105015	FMS M5x15	1266	0312-051010	PW M5 (5.5x10xt1) Stainless			
1194	0141-106015	FMS M6x15	1267	0111-110020	HBS M10x20			
1195	0142-003008	FMS M3x8 Stainless	1268	0111-110030	HBS M10x30			
1196	0151-104015	TMS M4x15	1269	0131-105008	HB M5x8			
1197	0151-105006	TMS M5x6	1270	0141-105008	FMS M5x8			
1198	0151-106006	TMS M6x6	1271	0141-105012	FMS M5x12			
1199	0131-106025	HB M6x25	1272	0161-103004	PMS M3x4			
1200	0038-104020	PMS-P M4x20	1273	0161-603006	PMS M3x6 (Black chromate)			
1201	0041-105000	HN-F M5	1274	0251-105008	HFS M5x8			
1202	0111-105035	HBS M5x35	1275	0291-105253	HBB M5x8			
1203	0111-106040	HBS M6x40	1276	0291-108127	HBB M8x15			
1204	0111-108055	HBS M8x55	1277	0511-110406	Stop Ring E-4			
1205	0111-110025	HBS M10x25	1278	0331-051006	TW M5			
1206	0141-104008	FMS M4x8	1279	0111-106008	HBS M6x8			
1207	0142-004012	FMS M4x12 Stainless	1280	0511-110608	Stop Ring E-6			
1208	0151-103006	TMS M3x6	1281	0299-000435	MSB6.5-10			
1209	0151-106010	TMS M6x10	1282	0311-062016	PW M6 (6.6x20xt1.6)			
1210	0161-103012	PMS M3x12	1283	0311-062523	PW M6(φ 25xt2.3)			
1211	0161-104040	PMS M4x40	1284	0311-051208	PW M5(5.5x12xt0.8)			
1212	0261-105025	HSS M5x25 Flat Point	1285	0251-506010	HFS M6x10			
1213	0311-122423	PW M12	1286	0131-106010	HB M6x10			
1214	0321-101825	SW M10 (10.2x18.4xt2.5)	1287	0131-108025	HB M8x25			
1215	0311-061116	PW M6 (6.6x11.5xt1.6)	1288	0111-104050	HBS M4x50			
1216	0111-204020	HBS M4x20	1289	0131-108015	HB M8x15			
1217	0141-104006	FMS M4x6	1290	0131-108018	HB M8x18			
1218	0151-105025	TMS M5x25	1291	0131-108080	HB M6x60			
1219	0161-104018	PMS M4x18	1292	0131-104012	HB M4x12			
1220	0291-105170	HFB M5x10	1293	0141-106050	FMS M6x50			
1221	0121-106006	HSS M6x6 Cup Point	1294	0131-105025	HB M5x25			
1222	0017-106012	HBS-S M6x12	1295	0111-106060	HBS M6x60			
1223	0111-105006	HBS M5x6	1296	0131-106065	HB M6x65			
1224	0111-106035	HBS M6x35	1297	0111-104040	HBS M4x40			
1225	0111-106045	HBS M6x45	1298	0111-108018	HBS M8x18			
1226	0111-106050	HBS M6x50	1299	0151-104004	TMS M4x4			
1227	0111-108035	HBS M8x35	1300	0151-105015	TMS M5x15			
1228	0111-108045	HBS M8x45	1301	0291-104255	HBB M4x6			
1229	0111-114020	HBS M14x20	1302	0121-104005	HSS M4x5 Cup Point			
1230	0112-006020	HBS M6x20 Stainless	1303	0162-003008	PMS M3x8 Stainless			
1231	0131-104008	HB M4x8	1304	0161-104030	PMS M4x30			
1232	0131-106020	HB M6x20	1305	0161-104060	PMS M4x60			
1233	0131-110020	HB M10x20	1306	0322-030607	SW M3 (3.1x5.9xt0.7) Stainless			
1234	0131-110025	HB M10x25	1307	0111-103012	HBS M3x12			
1235	0141-103010	FMS M3x10	1308	0111-106075	HBS M6x75			
1236	0142-004020	FMS M4x20 Stainless	1309	0299-000550	HSS M5x10 Double Point			
1237	0142-004025	FMS M4x25 Stainless	1310	0299-000562	HSS M5x5 Double Point			
1238	0142-005010	FMS M5x10 Stainless	1311	0141-103008	FMS M3x8			
1239	0151-106008	TMS M6x8	1312	0131-105012	HB M5x12			
1240	0151-106015	TMS M6x15	1313	0132-004025	HB M4x25 Stainless·All Screws			
1241	0151-106018	TMS M6x18	1314	0181-105003	HN M5 style3			
1242	0151-604008	TMS M4x8	1315	0111-108070	HBS M8x70			
1243	0152-006008	TMS M6x8 Stainless	1316	0131-104030	HB M4x30			
1244	0161-103020	PMS M3x20	1317	0111-112030	HBS M12x30			
1245	0161-103025	PMS M3x25	1318	0321-122130	SW M12 (12.2x21.5xt3)			
1246	0161-106008	PMS M6x8	1319	0111-108010	HBS M8x10			
1247	0161-106010	PMS M6x10	1320	0121-105008	HSS M5x8 Cup Point			
1248	0182-004001	HN M4 Stainless	1321	0299-000048	HBS M4x30 Stainless·All Screws			
1249	0182-005001	HN M5 Stainless	1322	0161-105008	PMS M5x8			
1250	0182-006001	HN M6 Stainless	1323	0036-103006	PMS-SP M3x6			
1251	0311-041316	PW M4 (4.5x13xt1.6)	1324	0111-108040	HBS M8x40			
1252	0331-061106	TW M6 (6.4x11xt0.6)	1325	0111-103018	HBS M3x18			
1253	0331-101809	TW M10 (10.5x18xt0.9)	1326	0181-108003	HN-3 M8 style3			
1254	0041-104000	HN-F M4	1327	0121-104040	HSS M4x40 Flat Point			
1255	0411-308024	SPPIN φ 8x24	1328	0141-605020	FMS M5x20 Black Chromate			
1256	0111-106080	HBS M6x80						
1257	0151-104020	TMS M4x20						
1258	0151-106012	TMS M6x12						
1259	0131-104020	HB M4x20						
1260	0311-040805	PW M4 (4.5x8xt0.5)						
1261	0322-040810	M4 (4.1x7.6xt1) Stainless						
1262	0191-004002	CN M4						
1263	0162-004006	PMS M4x6 Stainless						



No.	Parts.No.	Description	Q'ty	Remarks	Illust No.
64	900-01-32131	Cutter Base	1		3
65	900-01-33121	Jaw(Left)	1		3
66	900-01-33111	Left Arm	1		3
67	900-01-30150	Press Tension Spring(Left)	1		3
68	900-01-30110	Cutter Tension Spring	1		3
69	900-01-30140	Press Tension Spring(Center)	1		3
70	900-01-30120	Spring Hook(A)	1		3
71	900-01-30130	Press Tension Spring(Right)	1		3
72	900-01-80123	Right Bandway Rail	1	9~15.5mm, 3/8, 1/2	4
	906-50-35110	Right Bandway Rail	1	5~6mm, 1/4	4
73	900-22-19110	Right Bandway Stopper	1		4
74	0611-020638	Ball Bearing 638ZZ	1		4
75	900-01-81121	Right Bandway Bracket	1		4
76	0520-140605	Flange Bush	2		4
77	900-01-81152	Right Bandway Joint	1		4
78	900-01-81170	Joint Bolt	1		4
79	900-01-80110	Arm Shaft	1		4
80	0520-111210	Metal Bush LFB-1210	1		4
81	900-01-81113	Right Bandway Arm	1		4
82	0520-131210	Flange Bush LFF-1210	1		4
83	0740-110258	Terminal	1		4
84	JK22-01-50150	Control Frame Stay B	1		4
85	0520-131815	Flange Bush LFF-1815	2		4
86	900-01-50112	Right Control Frame	1		4
87	0520-111815	Metal Bush LFB-1815	2		4
88	900-01-50140	Control Frame Stay A	3		4
89	900-01-50122	Left Control Frame	1		4
90	800-01-80130	Right Bandway Spring	1		4
91	0611-026001	Ball Bearing 6001ZZ	6		5, 6, 7
92	900-01-77112	Reverse Upper Roller Set	1	9~15.5mm, 3/8, 1/2	6
	906-50-23110	Reverse Upper Roller Set	1	5~6mm, 1/4	6
93	900-01-73111	FR Upper Roller Shaft	2		6, 7
94	900-01-70162	Reverse Upper Shaft Lever	1		6
95	900-06-10140	Proximity Switch	1		6
96	900-01-74120	Reverse Spring	1		6
97	900-01-74131	Reverse Spring Adjuster	1		6
98	900-01-70140	Reverse Roller Release Spring	1		6
99	800-01-74010	Reverse Solenoid Joint Rod	1		6
100	0611-026002	Ball Bearing 6002ZZ	2		7
101	800-01-70180	FR Pulley Collar	2		6, 7
102	900-01-71122	Feed Shooter Cover(Right)	1	9~15.5mm, 3/8, 1/2	6
	906-50-21220	Feed Shooter Cover(Right)	1	5~6mm, 1/4	6
103	900-01-71131	Feed Shooter Cover(Left)	1	9~15.5mm, 3/8, 1/2	6
	906-50-21330	Feed Shooter Cover(Left)	1	5~6mm, 1/4	6
104	900-01-71141	Adjuster Plate	1	9~15.5mm, 3/8, 1/2	6
	906-50-21320	Adjuster Plate	1	5~6mm, 1/4	6
105	900-01-71111	Feed Shooter	1	9~15.5mm, 3/8, 1/2	6
	906-50-21310	Feed Shooter	1	5~6mm, 1/4	6
106	900-01-72120	Band Guide Stopper	1		5
107	900-01-60220	Band Guide Plate Collar	2		5
108	900-01-72112	Band Guide Plate(Left Rear)	1		5
109	0520-130812	Metal Bush LFF-0812	1		5
110	900-01-72213	Feed Band Guide Plate	1		5
111	900-01-72220	Bush Collar	1		5
112	900-01-70181	Feed Band Guide Collar	1		5
113	800-01-70170	FR Drive Pulley	1		5
114	0611-020608	Ball Bearing 608ZZ	1		7
115	800-01-70120	FR Pulley	2		6, 7
116	0810-155107	Belt 220J3	1		5, 6
117	800-01-70150	Bracket A(Idler Roller)	1		5
118	800-01-70160	Idler Pulley	1		5
119	0611-020628N	Ball Bearing 628ZZ	1		6
120	900-01-60120	Tension Roller End Plate	1		5
121	968-01-60130	Tension Roller	1		5
122	975-26-11121	Reducer SB6-36	1		5
123	800-01-60110	Base(Tension Motor)	1		5



No.	Parts.No.	Description	Q'ty	Remarks	Illust No.
125	900-01-73210	Feed Upper Roller	1		7
126	900-01-60112	Band Guide Plate(Front)	1		5
127	900-01-60151	Touch Roller Arm Shaft	1		5
128	0520-131010	Metal Bush LFF-1010	2		5
129	900-01-61110P	Touch Roller Arm	1		5
130	900-01-61120	Touch Roller Shaft	1		5
131	900-01-61140	Band Guide Block Holder	1		5
132	900-01-61210	Touch Roller	1		5
133	900-01-61132	Band Guide Block(Right)	1		5
134	900-03-20360	Pusher Return Spring	1		9
135	900-01-60210	Band Guide Plate(Right Rear)	1		5
136	800-01-70190	Feed Spring Adjuster	1		7
137	900-01-70130	Feed Spring	1	9~15.5mm, 3/8, 1/2	7
	900-01-70140	Reverse Roller Release Spring	1	5~6mm, 1/4	7
138	0890-290001	Twist Stopper	2		7, 10
139	100-04-20190	Brake Tension Spring Ring	4		7, 10, 11
140	800-01-70140	Feed Upper Shaft Spring Hook	1		7
141	900-01-62110	Tension Solenoid Base	1		5
142	900-01-62200	Solenoid Set	1		5
143	900-01-62120	Tension Solenoid Adjuster	1		5
144	800-01-60130	DC Motor M2	1		7
145					
146					
147					
148					
149					
150					
151					
153	800-20-12120	Arch Cover(Left)	1	400H	8
	800-20-13120	Arch Cover(Left)	1	500H	8
	800-20-14120	Arch Cover(Left)	1	600H	8
154	900-20-12120	Arch Frame(Left)	1	400H	8
	900-20-13120	Arch Frame(Left)	1	500H	8
	900-20-14120	Arch Frame(Left)	1	600H	8
155					
	0890-480132	Label(Caution)	2		8
156	800-61-11110	Arch Cover(Upper)	1		8
157	900-02-10140	Label(Strapack)	1		8
158	900-20-12110	Arch Frame(Right)	1	400H	8
	900-20-13110	Arch Frame(Right)	1	500H	8
	900-20-14110	Arch Frame(Right)	1	600H	8
159	800-20-12110	Arch Cover(Right)	1	400H	8
	800-20-13110	Arch Cover(Right)	1	500H	8
	800-20-14110	Arch Cover(Right)	1	600H	8
160					
	0890-480357	Label(WARNING)	1		8
161	900-02-10123	Band Guide(Right)	1		8
162	900-02-10110	Connecting Plate	2		8
163	900-61-10120	Arch Frame(Upper)	1		8
164	900-61-10111	Band Guide(Left)	1		8
165	900-02-10131	Spacer(Left Band Guide)	1		8
166	900-02-20120	Bandway(Upper)	1	15.5mm	8
	906-02-20120	Bandway(Upper)	1	5, 6, 9~12mm, 1/4, 3/8, 1/2	8
167	900-02-20130	Bandway Corner(Upper)	2	15.5mm	8
	906-02-20130	Bandway Corner(Upper)	2	5, 6, 9~12mm, 1/4, 3/8, 1/2	8
168	900-20-12150	Bandway(Side)	2	400H 15.5mm	8
	900-20-13150	Bandway(Side)	2	500H 15.5mm	8
	900-20-14150	Bandway(Side)	2	600H 15.5mm	8
	906-20-12110	Bandway(Side)	2	400H 5, 6, 9~12mm, 1/4, 3/8, 1/2	8
	906-20-13110	Bandway(Side)	2	500H 5, 6, 9~12mm, 1/4, 3/8, 1/2	8
	906-20-14110	Bandway(Side)	2	600H 5, 6, 9~12mm, 1/4, 3/8, 1/2	8
169	900-02-20110	Bandway Corner(Left Lower)	1	15.5mm	8
	906-02-20110	Bandway Corner(Left Lower)	1	5, 6, 9~12mm, 1/4, 3/8, 1/2	8
170	900-62-10140	Bandway(Entrance)	1	15.5mm	8
	906-62-10110	Bandway(Entrance)	1	5, 6, 9~12mm, 1/4, 3/8, 1/2	8

No.	Parts.No.	Description	Q'ty	Remarks	Illust No.
171					
172	900-02-20141	Bandway Corner(Right Lower)	1	15.5mm	8
	906-02-20141	Bandway Corner(Right Lower)	1	5, 6, 9~12mm, 1/4, 3/8, 1/2	8
173	900-02-30170	Corner Flap(END·Fourth Corner)	1		8
174	900-02-30120	Corner Flap	20		8
175	900-20-12160	Side Flap(Right)	1	400H	8
	900-20-13160	Side Flap(Right)	1	500H	8
	900-20-14160	Side Flap(Right)	1	600H	8
176	900-02-30140	Corner Flap(END)	3		8
177	900-02-30110	Flap(Upper)	1		8
178	900-20-12170	Side Flap(Left)	1	400H	8
	900-20-13170	Side Flap(Left)	1	500H	8
	900-20-14170	Side Flap(Left)	1	600H	8
179	907-61-10120	Flap(Entrance)	1		8
180	800-02-21010	Right Bandway(Upper)	1	15.5mm	8
	906-50-34156	Right Bandway(Upper)	1	5, 6, 9~12mm, 1/4, 3/8, 1/2	8
181	926-50-32143	Slide Flap	1	5, 6mm, 1/4	8
182	900-02-21122	Band Adjuster	1	15.5mm	8
	906-51-22112	Bandway Adjuster	1	9~12mm, 3/8, 1/2	8
	906-50-22113	Bandway Adjuster	1	5, 6mm, 1/4	8
183	900-02-21154	Right Bandway Base	1	15.5mm	8
	906-50-34114	Right Bandway Base	1	5, 6, 9~12mm, 1/4, 3/8, 1/2	8
184	800-02-21020	Right Bandway(Lower)	1	15.5mm	8
	906-50-34162	Right Bandway(Lower)	1	5, 6, 9~12mm, 1/4, 3/8, 1/2	8
185					
186					
187					
188					
189					
190	900-03-10140	Touch Lever Spring	1		9
191	800-03-11120	Pool Motor Base	1		9
192	800-03-11130	Drive Roller	1		9
193	800-03-11110	Lower Roller Shaft	1		9
194	800-03-11340	Pool Motor	1		9
195					
196	900-03-12210	Pool Shooter(In Upper)	1		10
197	900-03-12220	Pool Shooter(In Lower)	1		10
198	900-03-12230	Pool Shooter Guide(In)	1		10
199	900-03-12240	Bracket(Pool Shooter)	1		10
200	900-03-13211	Pool Shooter(Out Upper)	1		10
201	900-03-13222	Pool Shooter(Out Lower)	1		10
202	900-03-13231	Pool Shooter Guide(Out Right)	1		10
203	900-03-13240	Pool Shooter Guide(Out Left)	1		10
204	900-03-14110	Eccentric Shaft	1		9
205	975-03-14310	Touch Lever	1		9
206	900-03-14210	Lower Roller	1		9
207	0611-026904	Ball Bearing 6904ZZ	1		9
208	0520-111015	Metal Bush LFB-1015	2		9
209	0890-180015	Rubber Knob	1		9
210	900-03-20111	Tube Holder Bracket	1		9
211	800-03-20210	Wire	1		9
212	900-03-20220	Wire Adjust Bolt	1		9
213	900-03-20310	Pusher Bracket	1		9
214	900-03-20320	Holder Collar	2		9
215	900-03-20330	Pusher Plate	2		9
216	900-03-20350	Hinge Collar	1		9
217	800-03-20240	Touch Lever Wire	1		9
218	900-03-20371	Wire Spring	1		9
219	900-03-20380	Hold Bolt	1		9
220	0890-320013	Spacer 4x15	1		9
221	900-03-21110	Self-loading Flap Base	1		9

No.	Parts.No.	Description	Q'ty	Remarks	Illust No.
222	900-03-21210	Self-loading Flap(Right)	1	9~15.5mm, 3/8, 1/2	9
	906-03-20210	Self-loading Flap(Right)	1	5.6mm, 1/4	9
223	900-03-21220	Barrier Plate	4	9~15.5mm, 3/8, 1/2	9
	906-03-20220	Barrier Plate	2	5.6mm, 1/4	9
224	900-03-21230	Magnet	4	9~15.5mm, 3/8, 1/2	9
	0890-160091	Neodymium Magnet	2	5.6mm, 1/4	9
225	900-03-21310	Self-loading Flap(Left)	1	9~15.5mm, 3/8, 1/2	9
	906-03-20310	Self-loading Flap(Left)	1	5.6mm, 1/4	9
226	900-03-30111	Pool Cover	1		10
227	900-03-30122	Pool Box Door	1		10
228	900-03-30130	Door Handle	1		10
229	900-03-30141	Guide Block	1	14~15.5mm	9
	900-03-30190	Guide Block	1	9~12mm, 3/8, 1/2	9
	906-03-30141	Guide Block	1	5.6mm, 1/4	9
230	900-03-30150	Band Keeper	1		10
231	900-03-30162	Balance Bar Spring	1		10
232	900-03-30170	Cover Holder	4		10
233	900-03-30181	Adjuster Spring Hook	1		10
234	900-03-30211	Balance Bar	1		10
235	900-03-30221	Balance Bar Holder	1		10
236	900-03-30232	Balance Bar Shaft	1		10
237	900-03-30311	Pool Switch Base	1		10
238	0611-060029	Ball Bearing MF128ZZ1MC3	2		10
239	0890-160013	Magnet Catch	1		10
240	800-25-14510	Reel Guard(Front)	1		11
241	800-25-14520	Reel Guard(Rear)	1		11
242	968-04-10110	Reel Nut Handle	1		11
243	125-04-10112	Reel In Circular	1	Yellow	11
	100-24-28110	Reel In Circular	1	White(Optional)	11
	N11-04-10112	Reel In Circular	1	Clear(Optional)	11
244	125-04-10122	Reel Out Circular	1	Yellow	11
	631-04-10190	Reel Out Circular	1	White(Optional)	11
	N11-04-10122	Reel Out Circular	1	Clear(Optional)	11
245	125-04-10210	Rear Nut	3	Europe & Other Countries	11
246	900-04-10150	Reel Center Guide	3	Europe & Other Countries	11
	900-24-29110	Reel Center Guide	3	North America	11
247	0890-480004	Arrow Label(Right Direction)	1		11
248	0890-480291	Arrow Label	1		11
249	800-04-11010	Free Angle Bracket Holder	1		11
250	100-04-11131	Band Guide Roller	2	15.5mm	11
	249-04-11120	Free Angle Roller	2	5, 6, 9~12mm, 1/4, 3/8, 1/2	11
251	100-04-11120	Bracket(Free Angle Roller)	1	15.5mm	11
	249-04-11130	Bracket(Free Angle Roller)	1	5, 6, 9~12mm, 1/4, 3/8, 1/2	11
252	800-03-10110	Bracket(Band End Limit Switch)	1		10
253	0750-110090	Micro Switch	2	VX-013-1A3	10
254	0421-106030	Rivet $\phi$ 6x30	3		11
255	0512-210600	Pushing Nut $\phi$ 6 (Stainless)	3		11
256	900-04-20311	Reel Unit Base	1		11
257	968-04-10100	Reel Shaft Set	1		11
258	900-04-20142P	Brake Tension Holder	1		11
259	900-04-20150	Holder Shaft	1		11
260	900-04-20161	Brake Belt Tightener	1		11
261	900-04-20171	Brake Tension Arm Spring	1		11
262	0770-140040	Spacer $\phi$ 15idx $\phi$ 20.5odxt0.1	2		11
263	900-04-20400	Reel Brake Pulley Set	1		11
264	0520-111515	Metal Bush LFB-1515	2		11
265	900-04-21112	Reel Brake Arm	1		11
266	100-04-22110	Bracket(Free Slide Roller)	1		11
267	900-04-22111	Brake Belt	1		11
268	900-04-22120	Brake Belt Holder	1		11
269	900-04-22130	Brake Belt Holder Collar	1		11
270	900-04-23110	Bracket(Spring Adjuster)	1		11
271	300-01-72140	Feed Upper Roller Spring Adjuster	1		11
272	800-05-10112	Body Frame	1		12
273	800-05-10160	Front Door(Right)	1		12

No.	Parts.No.	Description	Q'ty	Remarks	Illust No.
275	800-05-10170	Front Door(Left)	1		12
276	800-05-10150	Rear Panel	1		12
277	800-05-10180	Side Apron(Left)	1		12
278	800-80-11110	Side Apron(Right)	1		12
279	800-05-10120	Front Apron	1		12
280					
281	800-05-10220	Arch Cover Stay(Right)	1		12
282	800-05-10230	Arch Cover Stay(Left)	1		12
283	975-05-11110	Label(How to Load Strap)	1		12
284	0890-480056	Label(Foot Switch)	1	Except Foot Bar Switch	13
285	0890-130568	Caster(Fixed)	2		12
286	0890-130567	Caster(Free)	2		12
287	0890-160002	Magnet Catch	1	C-100-B-2	12
288	0890-480063	Label(WARNING)	1		12
289	800-61-11210	Upper Table(Front)	1		12
290	900-05-11120	Table Roller	10	180L	12
291	900-05-11130	Table Roller Shaft	10	180L	12
292	0511-170710	Stop Ring G-7	10		12
293	800-05-12110	Upper Table(Rear)	1		12
294	800-80-10310	Operation Panel(Front)	1		13
295	0710-180031	Tension Dial	1		13
296	0710-140106	Push Button Switch	1		13
297	0770-220011	Tension Volume	1		13
298	0710-120033	Selector Switch	1		13
299	0710-110108	Push Button Switch	1		13
300	0710-110107	Start Switch	1		13
301	0291-109157	Pipe Nut	1		13
302	100-01-62120	Rubber Packing	1		13
303	800-06-10220	Bracket(Smoke Fan)	1		13
304	900-06-10160	Smoke Fan	2		13
308	0740-120592	Cable Connector	1		12
309	100-02-10110	Flap Cushion	1		5
310					
311	800-80-11150	Cam Switch Label On	1		13
312	800-80-11160	Cam Switch Label Off	1		13
313	0890-320009	Spacer (Roll Bush)6x5(ID6.2xDD7.8x5L)	4		13
314	800-06-10212	Transformer Base	1		13
315	816-06-20130	Heater Transformer	1	North America	13
	816-26-11230	Heater Transformer	1	Europe & Other Countries	13
316	816-06-20120	Transformer	1	North America	13
	816-26-11240	Transformer	1	Europe & Other Countries	13
317	0890-320849	Spacer	5		13
318	816-06-20110	Terminal Base	1	North America	13
	816-26-11130	Terminal Base	1	Europe & Other Countries	13
319	800-06-10250	Power Supply Board	1		13
320	0730-150091	Noise Filter	1		13
321	0740-119280	DIN Rail	1		13
322					
323	0710-190029	Cam Switch	1		13
324	800-80-20100	IC Control Box Assembly	1	North America & Other Countries	13
	800-86-20100	IC Control Box Assembly	1	Europe	13
325	518-07-10360	Label(WARNING)	1		13
326	0730-130056	Fuse Holder	2		13
327	0730-179024	Fuse	2		13
328	0720-110451	Power Relay	1		13
329					
330	0730-110557	Circuit Protector	1	North America	13
	0730-110277	Circuit Protector	1	Europe & Other Countries	13

No.	Parts.No.	Description	Q'ty	Remarks	Illust No.	
331	0730-110534	Power Supply Switch	1	North America	13	
	0730-110476	Power Supply Switch	1	Europe & Other Countries	13	
332	0730-110400	Terminal Cover(Breaker)	1		13	
333	800-86-30161	Wire Harness(DC24V Power Supply Output)	1		14	
334						
	800-80-10300	Operation Panel Set	1		14	
335	800-06-30180	Wire Harness(Limit Switch)	1		14	
336	800-06-30140	Wire Harness(Solenoid)	1		14	
337						
	800-86-30151	Wire Harness(Motor)	1		14	
338	800-80-30141	Wire Harness(Transformer)	1		14	
339	800-86-30180	Wire Harness(CPU Control Board Input)	1		14	
340						
	900-86-60151	Wire Harness(Foot Switch)	1	Except Foot Bar Switch	14	
341						
		800-83-30110	Power Supply Cord	1	North America	14
		800-80-30210	Power Supply Cord	1	Europe & Other Countries	14
342						
	800-80-30110	Wire Harness(Transformer)	1		14	
343	900-06-30220	Wire Harness(Heater)	1		14	
344	804-80-30281	Wire Harness(Noise Filter)	1		14	
345	800-86-30170	Wire Harness(Relay Coil)	1		14	
346	800-86-30190	Wire Harness(Door Switch)	1		14	
347	800-86-30230	Wire Harness(Fuse)	1		14	
348	800-06-30110	Wire Harness(M1.M2 Motor)	1		14	
349	800-06-30120	Wire Harness(M1.M2 Motor Sensor)	1		14	
350	800-06-30150	Wire Harness(CN4)	1	Other Countries	14	
	800-26-11160	Counter	1	North America & Europe	14	
351	800-80-30122	Wire Harness(Breaker Output)	1		14	
352	800-80-30130	Wire Harness(Power Supply)	1		14	
353						
354	800-03-20220	Wire Tube	1		9	
355	800-03-20230	Tube Holder	1		9	
356						
357	800-05-10130	Caster Support Right	1		12	
358	800-05-10140	Caster Support Left	1		12	
359	800-05-10240	Operation Panel Spacer	1		12	
360	800-05-12130P	Upper Table Support	2		12	
361	800-05-10210	Front Door Support	1		12	
362	800-06-10282	DC Power Supply Cover	1		13	
363	800-86-11111	Bottom Plate	1		12	
364	800-86-11121	Door Switch Bracket	1		13	
365	800-86-11130	Actuator Bracket	1		13	
366	0292-004268	Torx Screw	2		13	
367	0292-004270	Torx Screw	2		13	
368	0750-110141	Actuator	1		13	
369	0750-110773	Small Safety Switch	1		13	
370						
	0890-480348	Label(WARNING)	1		12	
371	800-80-30320	Wire Harness(Ground)	1		14	
372	800-80-30351	Wire Harness(Ground)	1		14	
373	0740-121187	Cord Connector	1		13	

No.	Parts.No.	Description	Q'ty	Remarks	Illust No.
<b>Assembly</b>					
800					
801	900-21-35400P	Slide Table Arm Assembly	1		2
802	975-01-42000P	Heater Arm Assembly	1		2
803	900-01-22000P	Band Guide Arm Assembly	1		2
804	900-01-31001P	Right Arm Assembly	1	6~15.5mm, 1/4, 3/8, 1/2	3
	906-01-31000P	Right Arm Assembly	1	5mm	3
805	JK22-01-32000P	Center Arm Assembly	1		3
806	900-01-33001P	Left Arm Assembly	1	9~15.5mm, 3/8, 1/2	3
	906-01-33001P	Left Arm Assembly	1	5.6mm, 1/4	3
807	900-01-81003P	Right Bandway Arm Assembly	1		4
808	900-01-50112P	Right Control Frame Set	1		4
809	900-01-50122P	Left Control Frame Set	1		4
810	900-01-77002P	Reverse Upper Roller Assembly	1	9~15.5mm, 3/8, 1/2	6
	906-50-23100P	Reverse Upper Roller Assembly	1	5.6mm, 1/4	6
811	800-01-74000P	Reverse Solenoid Joint Assembly	1		6
812	800-01-70110P	FR Roller Set	2		6, 7
813	900-01-71002P	Feed Shooter Assembly	1	9~15.5mm, 3/8, 1/2	6
	906-50-21300P	Feed Shooter Assembly	1	5.6mm, 1/4	6
814	900-01-72100P	Feed Band Guide Set(Left Rear)	1		5
815	900-01-72200P	Feed Band Guide Plate Set	1		5
816					
817	900-01-75002P	FR Belt Tension Assembly	1		6
818	900-01-73000P	Feed Upper Roller Assembly	1		7
819	900-01-73200P	Feed Upper Roller Set	1		7
820	900-01-61001P	Touch Roller Arm Assembly	1		5
821	900-01-61200P	Touch Roller Set	1		5
822	900-01-60200P	Band Guide Plater Set(Right Rear)	1		5
823	900-01-62000P	Tension Solenoid Assembly	1		5
824					
825	800-02-21000P	Right Bandway Assembly	1	15.5mm	8
	906-51-22000P	Right Bandway Assembly	1	9~12mm, 3/8, 1/2	8
	906-50-22002P	Right Bandway Assembly	1	5, 6mm, 1/4	8
826	900-02-30300P	Arch Flap Spring Set $\phi$ 0.8	10	15.5mm	8
	906-02-30300P	Arch Flap Spring Set $\phi$ 0.8	10	5, 6, 9~12mm, 1/4, 3/8, 1/2	8
827	900-02-30200P	Arch Flap Spring Set $\phi$ 0.65	17	15.5mm	8
	906-02-30200P	Arch Flap Spring Set $\phi$ 0.65	17	5, 6, 9~12mm, 1/4, 3/8, 1/2	8
828	900-02-30403P	Right Bandway Stand Assembly	1	15.5mm	8
	906-02-30403P	Right Bandway Stand Assembly	1	5, 6, 9~12mm, 1/4, 3/8, 1/2	8
829	900-02-30200P	Arch Flap Spring Set $\phi$ 0.65	2	15.5mm	8
	906-02-30200P	Arch Flap Spring Set $\phi$ 0.65	2	9~12mm, 3/8, 1/2	8
	906-02-30300P	Arch Flap Spring Set $\phi$ 0.8	2	5, 6mm, 1/4	8
830					
831	900-03-12200P	Pool Shooter(In Set)	1		10
832	900-03-13201P	Pool Shooter Out Set	1		10
833	975-03-14000P	Pool Touch Roller Assembly	1		9
834	900-03-14200P	Lower Roller Set	1		9
835					
836	900-03-21001P	Self-loading Flap Assembly	1	9~15.5mm, 3/8, 1/2	9
	800-50-21000P	Self-loading Flap Assembly	1	5, 6mm, 1/4	9
837	900-03-21200P	Self-loading Flap Set(Right)	1	9~15.5mm, 3/8, 1/2	9
	800-50-21200P	Self-loading Flap Set(Right)	1	5, 6mm, 1/4	9
838	900-03-21300P	Self-loading Flap Set(Left)	1	9~15.5mm, 3/8, 1/2	9
	800-50-21300P	Self-loading Flap Set(Left)	1	5, 6mm, 1/4	9
839	800-25-13100P	Free Angle Bracket Holder Assembly	1	15.5mm	11
	800-25-13200P	Free Angle Bracket Holder Assembly	1	5, 6, 9~12mm, 1/4, 3/8, 1/2	11
840	900-04-21001P	Reel Brake Arm Assembly	1	15.5mm	11
	906-04-21001P	Reel Brake Arm Assembly	1	5, 6, 9~12mm, 1/4, 3/8, 1/2	11
841	900-04-22000P	Brake Belt Assembly	1		11
842	900-04-23001P	Spring Adjust Bracket Assembly	1		11
843	968R-1	Reel Unit Assembly	1	15.5mm	11
	968R-2	Reel Unit Assembly	1	5, 6, 9~12mm, 1/4, 3/8, 1/2	11
844	800-61-10200P	Upper Table(Front) Assembly	1		12
845	800-05-12000P	Upper Table(Rear) Assembly	1		12
846					
847	800-03-11000P	Pool Motor Assembly	1		9



□ **Strapack Corporation**

7F Ginza Strapack Building 8-16-6 Ginza Chuo-ku Tokyo 104-0061 JAPAN

Tel : +81 3 6278 1806

Fax: +81 3 6278 1807

Email: [info@strapack.com](mailto:info@strapack.com)

Web site: [www.strapack.com](http://www.strapack.com)